



THE **X** CONCEPT FOR OUR FILTERS

Protect the performance of your system with MYclean.
Quality and efficiency are fundamental for MP Filtri:
this exclusive new filter element possesses polygon shape geometry and specific seal
that ensures only original spare parts can be used - ensuring correct operation and
higher system reliability.

MPFX series

with **MYCLEAN** MFX Filter Element



- **Protects the machine from improper use of non-original products.**
- **Safety of constant quality protection & reliability**

With exclusive filter element you are sure that only MP Filtri filter elements can be used, ensuring the best cleaning level of the oil due to the use of originals filter elements.



The products identified as MPFX are protected by:

- Italian Patent n° 102014902261205
- Canadian Patent n° 2,937,258
- European Patent n° 16181725.9
- US Patent n° 15/224,337

TOGETHER WITH **MYCLEAN**, AS OPTION, MPFX SERIES CAN BE PROVIDED WITH

zerospark[®]
THE ANTI-STATIC FILTERS

THE **Z** CONCEPT FOR OUR FILTERS



Zerospark[®] is a specialist solution designed to solve the problem of electrostatic discharge inside hydraulic filters. Caused by the electrical charge build-up due to the passage of oil through the filters, this can result in damage to filter elements, oils and circuit components. It can even cause fire hazards in environments where flammable materials are present.

MPFX series

Maximum working pressure up to 800 kPa (8 bar) - Flow rate up to 900 l/min



Description

Technical data

Return filter

Maximum working pressure up to 800 kPa (8 bar)
Flow rate up to 900 l/min

MPFX is a range of return filters for protection of the reservoir against the system contamination.

They are directly fixed to the reservoir, in immersed or semi-immersed position.

The filter output must be always immersed into the fluid to avoid aeration or foam generation into the reservoir.

Available features:

- Female threaded connections up to 2" and flanged connections up to 2", for a maximum flow rate of 900 l/min
- Multiple connections, to connect several return lines or drains
- Fine filtration rating, to get a good cleanliness level into the reservoir
- Bypass valve integrated into the filter element, to relieve excessive pressure drop across the filter media
- 2, 3 or 4 fixing holes for installation, to suit a variety of reservoir surfaces
- O-ring or Flat Seal to suit a variety of reservoir surfaces
- Oil dipstick, to easily check the level of the fluid into the reservoir (sold as separate item)
- Extension tube, to be used in deep reservoirs (sold as separate item)
- Diffuser, to reduce the risk of aeration, foaming and noise (sold as separate item)
- Filler plug, to fill cleaned fluid into the tank without an additional connection
- Visual, electrical and electronic clogging indicators
- MYclean interface connection, to protect the product against non-original spare parts
- External protective wrap, to optimize the flow through the element and to save the element efficiency against non-proper handling

Common applications:

- Light Industrial equipment
- Mobile application

Filter housing materials

- Head: Aluminium
- Cover
 Polyamide: MPFX 030-100-104-110
 Aluminium: MPFX 181-182-184-191-192-194-400-410-450-451-750
- Bowl: Polyamide

Bypass valve

- Opening pressure 175 kPa (1.75 bar) $\pm 10\%$
- Opening pressure 300 kPa (3 bar) $\pm 10\%$

Δp element type

- Microfiber filter elements - series H: 10 bar
- Fluid flow through the filter element from OUT to IN

Seals

- Standard NBR series A
- Optional FPM series V

Temperature

From -25 °C to +110 °C

Note

MPFX filters are provided for vertical mounting

Weights [kg] and volumes [dm³]

Filter series	Weights [kg]				Volumes [dm ³]					
	Length	1	2	3	4	Length	1	2	3	4
MPFX 030		0.40	-	-	-		0.29	-	-	-
MPFX 100		0.61	0.64	0.67	0.74		0.64	0.85	1.20	1.65
MPFX 104		0.82	0.96	1.02	1.25		0.64	0.85	1.20	1.65
MPFX 110		0.64	0.68	0.71	0.78		-	-	-	-
MPFX 181		2.20	3.00	-	-		2.50	4.00	-	-
MPFX 182		2.30	3.10	-	-		2.50	4.00	-	-
MPFX 184		2.55	3.45	-	-		2.65	4.45	-	-
MPFX 191		-	3.00	-	-		-	4.25	-	-
MPFX 192		-	3.10	-	-		-	4.25	-	-
MPFX 194		-	3.45	-	-		-	4.45	-	-
MPFX 400		3.35	3.65	3.90	-		3.70	4.60	5.40	-
MPFX 410		3.55	3.85	4.10	-		3.70	4.60	5.40	-
MPFX 450-451		3.95	4.25	4.50	-		3.70	4.60	5.40	-
MPFX 750		6.30	-	-	-		8.45	-	-	-

Filter series	Length	Filter element design - H series					Filter element design - N series		
		A03	A06	A10	A16	A25	M25 M60 M90	P10	P25
MPFX 030	1	7	10	24	29	47	84	60	66
MPFX 100-104-110	1	18	20	53	56	65	153	87	96
	2	28	38	65	75	95	158	111	123
	3	48	55	125	135	169	289	224	251
	4	79	89	180	185	198	306	264	289
MPFX 181-182-184	1	127	148	235	243	278	441	285	299
	2	231	262	358	382	388	472	404	412
MPFX 191-192-194	2	261	305	489	528	546	696	583	598
MPFX 400	1	150	171	294	304	350	585	370	390
	2	237	252	454	462	589	868	619	645
	3	248	288	553	609	621	885	680	703
MPFX 410	1	146	167	277	285	325	512	341	357
	2	226	239	396	402	485	644	503	519
	3	236	269	462	497	505	653	539	553
MPFX 450-451	1	150	171	294	304	350	585	370	390
	2	237	252	454	462	589	868	619	645
	3	248	288	553	609	621	885	680	703
MPFX 750	1	392	465	623	700	769	929	804	819

Maximum flow rate for a complete return filter with a pressure drop $\Delta p = 0.5$ bar.

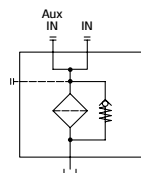
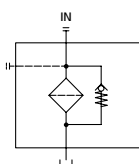
The reference fluid has a kinematic viscosity of 30 mm²/s (cSt) and a density of 0.86 kg/dm³.

For different pressure drop or fluid viscosity we recommend to use our selection software available on www.mpfiltri.com.

You can also calculate the right size using the formulas present on the FILTER SIZING paragraph at the beginning of the full catalogue or at the beginning of the filter family brochure. Please, contact our Sales Department for further additional information.

Hydraulic symbols

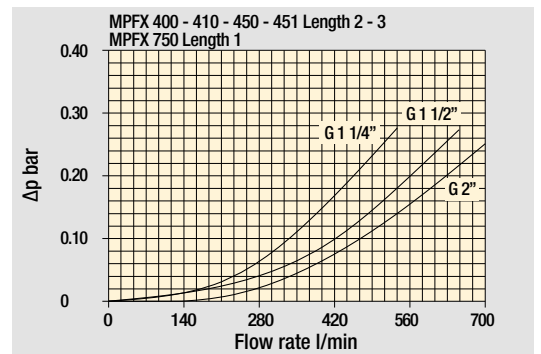
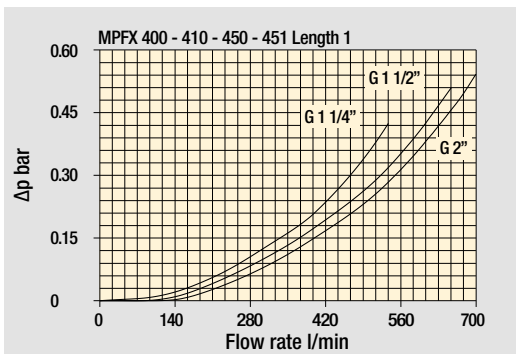
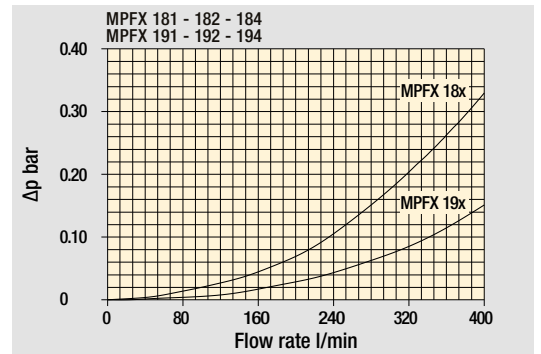
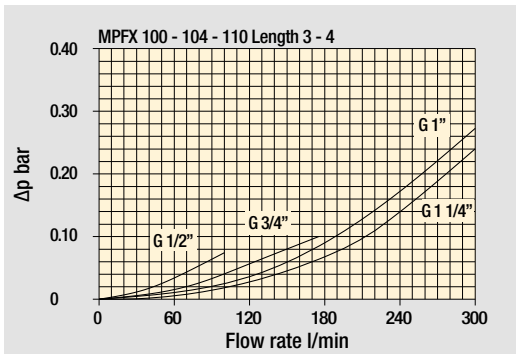
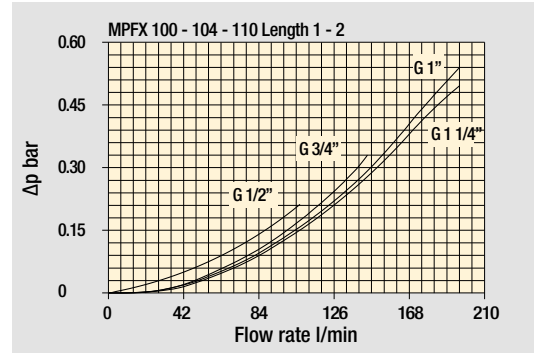
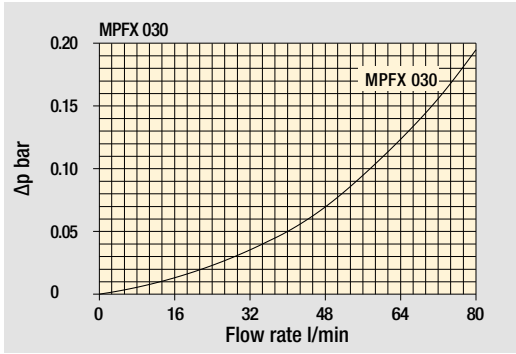
Filter series	Style 1 connection	Style 2 connections
MPFX 030	●	-
MPFX 100	●	-
MPFX 104	●	-
MPFX 110	-	●
MPFX 181	●	-
MPFX 182	-	●
MPFX 184	●	●
MPFX 191	●	-
MPFX 192	●	-
MPFX 194	●	●
MPFX 400	●	-
MPFX 410	-	●
MPFX 450	●	-
MPFX 451	-	●
MPFX 750	●	-



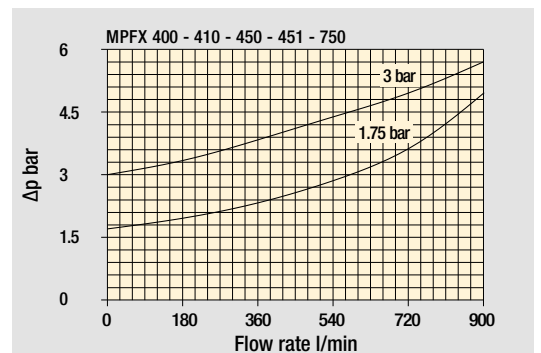
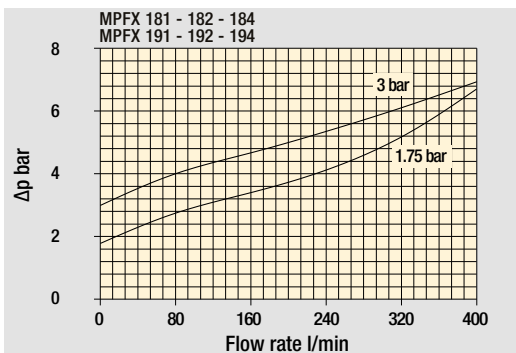
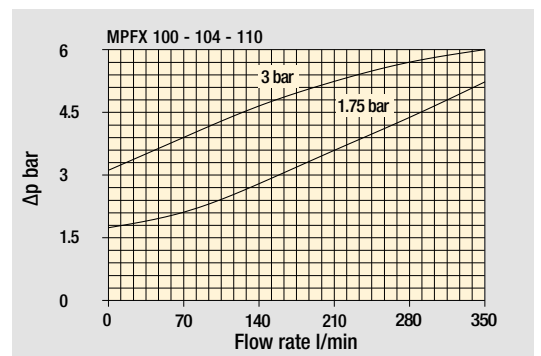
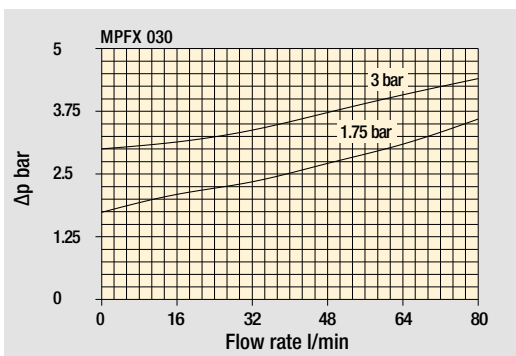
MPFX GENERAL INFORMATION

Pressure drop

Filter housings Δp pressure drop



Bypass valve pressure drop

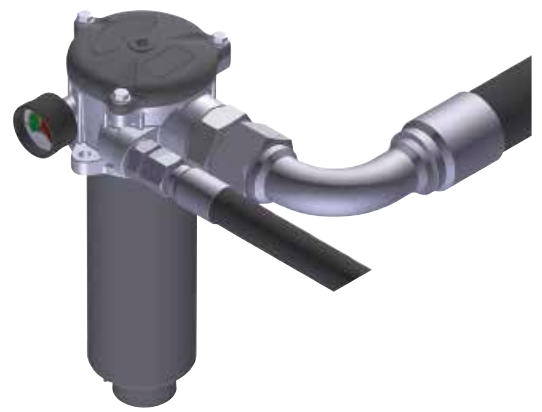


The curves are plotted using mineral oil with density of 0.86 kg/dm³ in compliance with ISO 3968. Δp varies proportionally with density.

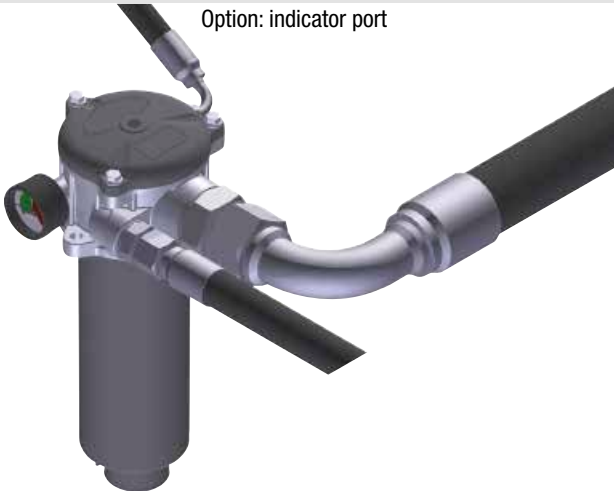
Standard - Single IN port



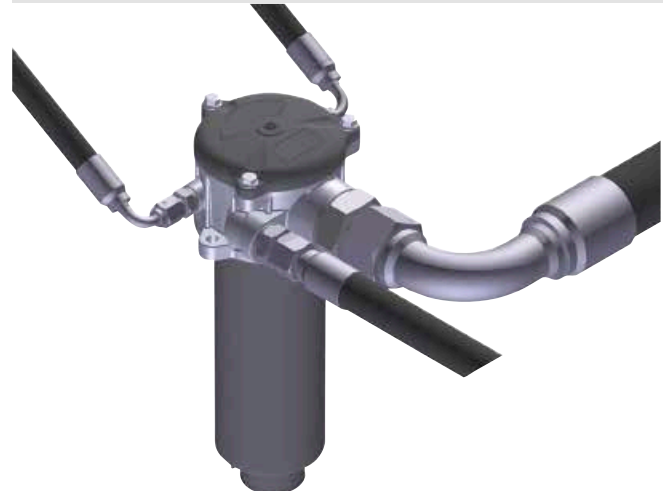
Double IN port
Option: double indicator port



Double IN port - Drain port
Option: indicator port



Double IN port - Double drain port



Designation & Ordering code

COMPLETE FILTER

Series and size	Configuration example 1:	MPFX030	1	V	G1	M25	N	B	P01
MPFX030 Filter featuring MY CLEAN Filter Element	Configuration example 2:	MPFX030	1	A	G4	A10	H	E	P01
Length			1						
Seals and treatments				A					
A NBR				V					
V FPM				W					
W NBR head anodized				Z					
Z FPM head anodized									
Connections					G1				
G1 G 1/2"					G4				
G4 1/2" NPT					G7				
G7 SAE 8 - 3/4" - 16 UNF									
Filtration rating (filter media)									
A03 Inorganic microfiber 3 µm						M25 Wire mesh 25 µm			
A06 Inorganic microfiber 6 µm						M60 Wire mesh 60 µm			
A10 Inorganic microfiber 10 µm						M90 Wire mesh 90 µm			
A16 Inorganic microfiber 16 µm						P10 Resin impregnated paper 10 µm			
A25 Inorganic microfiber 25 µm						P25 Resin impregnated paper 25 µm			

All filter media except M60, P10 and P25 are compatible with fluids HFA, HFB and HFC

Element Δp	Filter media		
	Axx	Mxx	Pxx
N 10 bar	-	•	•
H 10 bar	•	-	-

Bypass valve	
E	3 bar
B	1.75 bar

Executions		
Base	zérospark®	
P01	Z01	MP Filtri standard
Pxx	Zxx	Customized

FILTER ELEMENT

Element series and size	Configuration example 1:	MFX030	1	M25	N	V	P01	
MFX030 Filter Element with MY CLEAN feature	Configuration example 2:	MFX030	1	A10	H	B	E	P01
Element length			1					
Filtration rating (filter media)								
A03 Inorganic microfiber 3 µm						M25 Wire mesh 25 µm		
A06 Inorganic microfiber 6 µm						M60 Wire mesh 60 µm		
A10 Inorganic microfiber 10 µm						M90 Wire mesh 90 µm		
A16 Inorganic microfiber 16 µm						P10 Resin impregnated paper 10 µm		
A25 Inorganic microfiber 25 µm						P25 Resin impregnated paper 25 µm		

Element Δp	Filter media		
	Axx	Mxx	Pxx
N 10 bar	-	•	•
H 10 bar	•	-	-

Seals	
B	NBR
V	FPM

Bypass valve	
E	3 bar
-	1.75 bar

Executions		
Base	zérospark®	
P01	Z01	MP Filtri standard
Pxx	Zxx	Customized

CLOGGING INDICATORS

See page 680-681

BVA	Axial pressure gauge
BVR	Radial pressure gauge
BVP	Visual pressure indicator with automatic reset
BVQ	Visual pressure indicator with manual reset

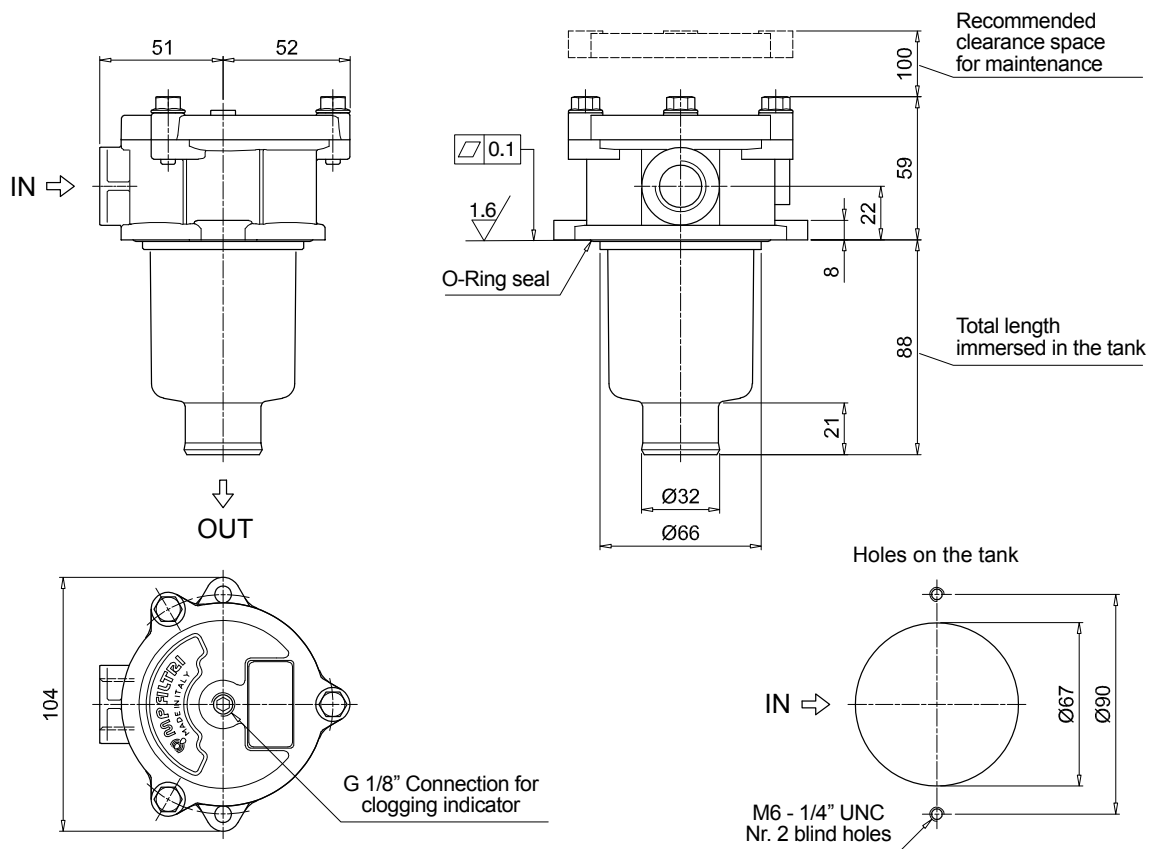
BEA	Electrical pressure indicator
BEM	Electrical pressure indicator
BLA	Electrical / visual pressure indicator

ADDITIONAL FEATURES

See page 262

TE	Extension tube
T5	Filler plug M30x1.5

MPFX030



MPFX MPFX100 - MPFX104

Designation & Ordering code

COMPLETE FILTER

Series and size	Configuration example 1:	MPFX100	2	W	G3	A06	H	B	P01
MPFX100 MPFX104 Filter featuring MYCLEAN Filter Element	Configuration example 2:	MPFX104	4	A	G8	P10	N	E	P01

Length	1 2 3 4
---------------	---

Seals and treatments	
A NBR	
V FPM	
W NBR head anodized	
Z FPM head anodized	

Connections	Size 100	Size 104	Connections	Size 100	Size 104
G1 G 1/2"	•	•	G7 SAE 8 - 3/4" - 16 UNF	•	•
G2 G 3/4"	•	•	G8 SAE 12 - 1 1/16" - 12 UN	•	•
G3 G 1"	•	•	G9 SAE 16 - 1 5/16" - 12 UN	•	•
G4 1/2" NPT	•	•			
G5 3/4" NPT	•	•			
G6 1" NPT	•	•			

Filtration rating (filter media)	
A03 Inorganic microfiber 3 µm	M25 Wire mesh 25 µm
A06 Inorganic microfiber 6 µm	M60 Wire mesh 60 µm
A10 Inorganic microfiber 10 µm	M90 Wire mesh 90 µm
A16 Inorganic microfiber 16 µm	P10 Resin impregnated paper 10 µm
A25 Inorganic microfiber 25 µm	P25 Resin impregnated paper 25 µm

All filter media except M60, P10 and P25 are compatible with fluids HFA, HFB and HFC

Element Δp	Filter media			Bypass valve	Executions		
	Axx	Mxx	Pxx		Base	zere spark	
N 10 bar	-	•	•	E 3 bar	P01	Z01	MP Filtri standard
H 10 bar	•	-	-	B 1.75 bar	Pxx	Zxx	Customized

FILTER ELEMENT

Element series and size	Configuration example 1:	MFX100	2	A06	H	B	P01	
MFX100 Filter Element with MYCLEAN feature	Configuration example 2:	MFX100	4	P10	N	B	E	P01

Element length	1 2 3 4
-----------------------	---

Filtration rating (filter media)	
A03 Inorganic microfiber 3 µm	M25 Wire mesh 25 µm
A06 Inorganic microfiber 6 µm	M60 Wire mesh 60 µm
A10 Inorganic microfiber 10 µm	M90 Wire mesh 90 µm
A16 Inorganic microfiber 16 µm	P10 Resin impregnated paper 10 µm
A25 Inorganic microfiber 25 µm	P25 Resin impregnated paper 25 µm

Element Δp	Filter media			Seals	Bypass valve	Executions		
	Axx	Mxx	Pxx			Base	zere spark	
N 10 bar	-	•	•	B NBR	E 3 bar	P01	Z01	MP Filtri standard
H 10 bar	•	-	-	V FPM	- 1.75 bar	Pxx	Zxx	Customized

CLOGGING INDICATORS

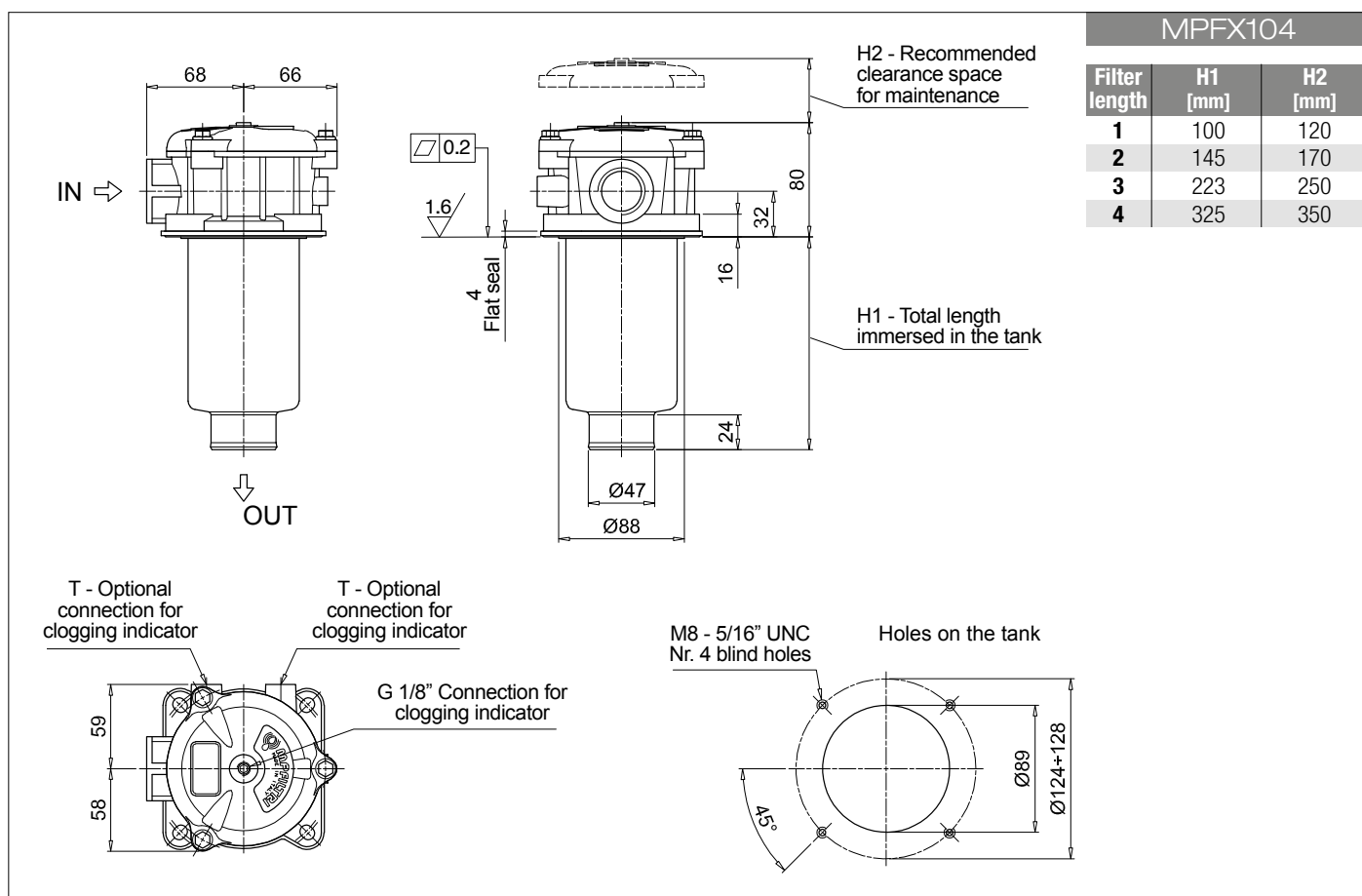
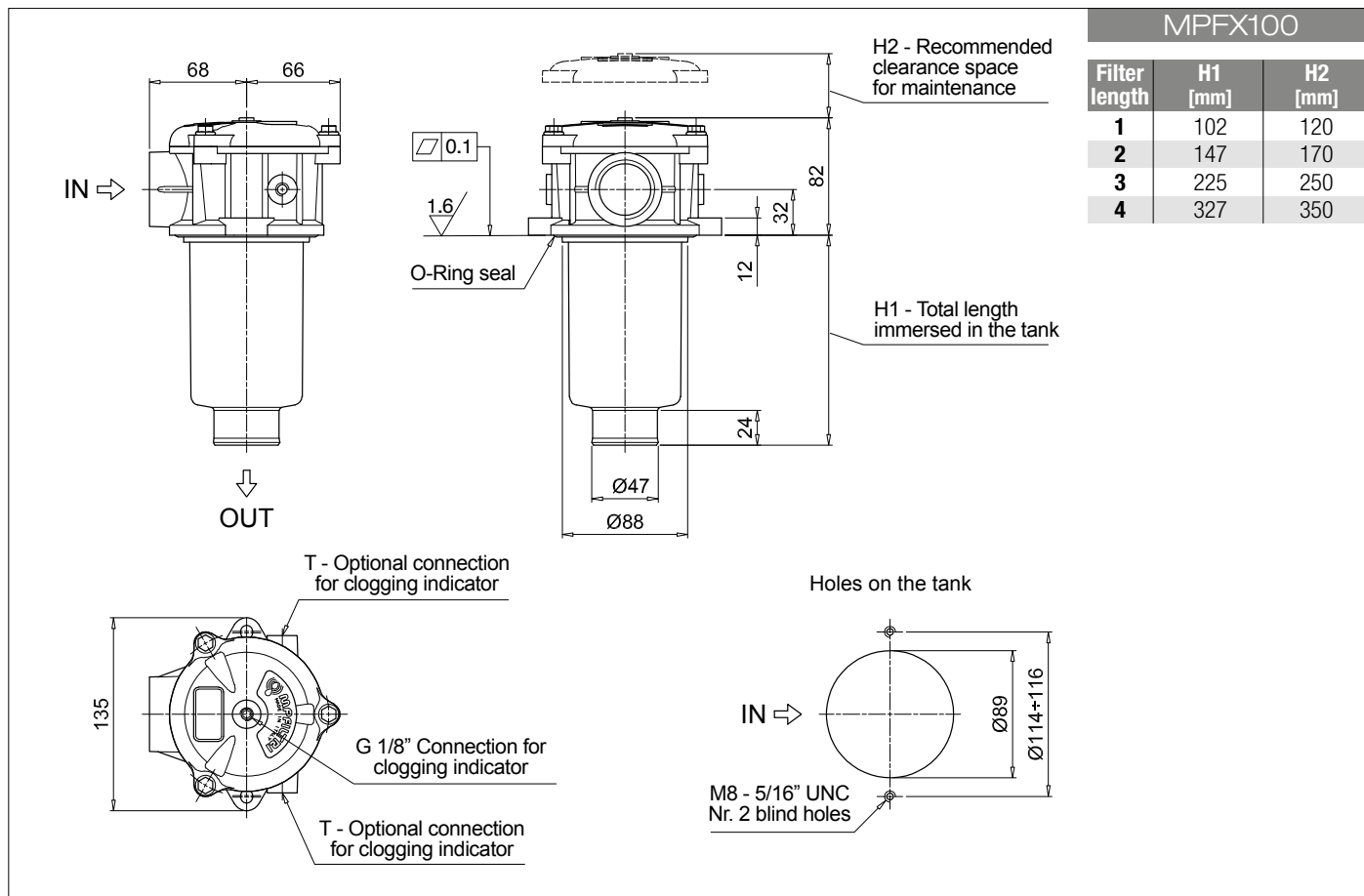
See page 680-681

BVA Axial pressure gauge	BEA Electrical pressure indicator
BVR Radial pressure gauge	BEM Electrical pressure indicator
BVP Visual pressure indicator with automatic reset	BLA Electrical / visual pressure indicator
BVQ Visual pressure indicator with manual reset	

ADDITIONAL FEATURES

See page 262

TE Extension tube	T5 Filler plug M30x1.5
DFS Diffuser with fast lock connection	DPT Dipstick



MPFX MPFX110

Designation & Ordering code

COMPLETE FILTER

Series and size			Configuration example 1: MPFX110 3 Z G4 2 M25 H B P01																		
MPFX110 Filter featuring MY CLEAN Filter Element			Configuration example 2: MPFX110 4 A G8 1 P10 N E P01																		
Length			1 2 3 4																		
Seals and treatments			<table border="0"> <tr> <td>A NBR</td> <td>W NBR head anodized</td> </tr> <tr> <td>V FPM</td> <td>Z FPM head anodized</td> </tr> </table>									A NBR	W NBR head anodized	V FPM	Z FPM head anodized						
A NBR	W NBR head anodized																				
V FPM	Z FPM head anodized																				
Main Connections			Main Connections			Aux size 1			Aux size 2												
G1 G 1/2"	Aux size 1	Aux size 2	G7 SAE 8 - 3/4" - 16 UNF																		
G2 G 3/4"	G 3/8"	G 1/2"	G8 SAE 12 - 1 1/16" - 12 UN	SAE 6 - 9/16" - 18 UNF		SAE 8 - 3/4" - 16 UNF															
G3 G 1"			G9 SAE 16 - 1 5/16" - 12 UN																		
G4 1/2" NPT			G10 G 1 1/4"	G 3/8"	G 1/2"																
G5 3/4" NPT	3/8" NPT	1/2" NPT	G11 1 1/4" NPT	3/8" NPT	1/2" NPT																
G6 1" NPT			G12 SAE 20 - 1 5/8" - 12 UN	SAE 6 - 9/16" - 18 UNF	SAE 8 - 3/4" - 16 UNF																
Aux connection - see previous table			<table border="0"> <tr> <td>1 Aux size 1</td> <td>2 Aux size 2</td> </tr> </table>									1 Aux size 1	2 Aux size 2								
1 Aux size 1	2 Aux size 2																				
Filtration rating (filter media)			<table border="0"> <tr> <td>A03 Inorganic microfiber 3 µm</td> <td>M25 Wire mesh 25 µm</td> </tr> <tr> <td>A06 Inorganic microfiber 6 µm</td> <td>M60 Wire mesh 60 µm</td> </tr> <tr> <td>A10 Inorganic microfiber 10 µm</td> <td>M90 Wire mesh 90 µm</td> </tr> <tr> <td>A16 Inorganic microfiber 16 µm</td> <td>P10 Resin impregnated paper 10 µm</td> </tr> <tr> <td>A25 Inorganic microfiber 25 µm</td> <td>P25 Resin impregnated paper 25 µm</td> </tr> </table>									A03 Inorganic microfiber 3 µm	M25 Wire mesh 25 µm	A06 Inorganic microfiber 6 µm	M60 Wire mesh 60 µm	A10 Inorganic microfiber 10 µm	M90 Wire mesh 90 µm	A16 Inorganic microfiber 16 µm	P10 Resin impregnated paper 10 µm	A25 Inorganic microfiber 25 µm	P25 Resin impregnated paper 25 µm
A03 Inorganic microfiber 3 µm	M25 Wire mesh 25 µm																				
A06 Inorganic microfiber 6 µm	M60 Wire mesh 60 µm																				
A10 Inorganic microfiber 10 µm	M90 Wire mesh 90 µm																				
A16 Inorganic microfiber 16 µm	P10 Resin impregnated paper 10 µm																				
A25 Inorganic microfiber 25 µm	P25 Resin impregnated paper 25 µm																				

All filter media except M60, P10 and P25 are compatible with fluids HFA, HFB and HFC

Element Δp			Filter media			Bypass valve			Executions		
N 10 bar	Axx	Mxx	Axx	Mxx	Pxx	E 3 bar	Base	zereospark[®]	P01	Z01	MP Filtri standard
H 10 bar						B 1.75 bar	Pxx	Zxx		Zxx	Customized

FILTER ELEMENT

Element series and size			Configuration example 1: MFx100 3 M25 H V P01																		
MFx100 Filter Element with MY CLEAN feature			Configuration example 2: MFx100 4 P10 N B E P01																		
Element length			1 2 3 4																		
Filtration rating (filter media)			<table border="0"> <tr> <td>A03 Inorganic microfiber 3 µm</td> <td>M25 Wire mesh 25 µm</td> </tr> <tr> <td>A06 Inorganic microfiber 6 µm</td> <td>M60 Wire mesh 60 µm</td> </tr> <tr> <td>A10 Inorganic microfiber 10 µm</td> <td>M90 Wire mesh 90 µm</td> </tr> <tr> <td>A16 Inorganic microfiber 16 µm</td> <td>P10 Resin impregnated paper 10 µm</td> </tr> <tr> <td>A25 Inorganic microfiber 25 µm</td> <td>P25 Resin impregnated paper 25 µm</td> </tr> </table>									A03 Inorganic microfiber 3 µm	M25 Wire mesh 25 µm	A06 Inorganic microfiber 6 µm	M60 Wire mesh 60 µm	A10 Inorganic microfiber 10 µm	M90 Wire mesh 90 µm	A16 Inorganic microfiber 16 µm	P10 Resin impregnated paper 10 µm	A25 Inorganic microfiber 25 µm	P25 Resin impregnated paper 25 µm
A03 Inorganic microfiber 3 µm	M25 Wire mesh 25 µm																				
A06 Inorganic microfiber 6 µm	M60 Wire mesh 60 µm																				
A10 Inorganic microfiber 10 µm	M90 Wire mesh 90 µm																				
A16 Inorganic microfiber 16 µm	P10 Resin impregnated paper 10 µm																				
A25 Inorganic microfiber 25 µm	P25 Resin impregnated paper 25 µm																				

Element Δp			Filter media			Bypass valve			Executions		
N 10 bar	Axx	Mxx	Axx	Mxx	Pxx	E 3 bar	Base	zereospark[®]	P01	Z01	MP Filtri standard
H 10 bar						- 1.75 bar	Pxx	Zxx		Zxx	Customized

CLOGGING INDICATORS

See page 680-681

BVA Axial pressure gauge	BEA Electrical pressure indicator
BVR Radial pressure gauge	BEM Electrical pressure indicator
BVP Visual pressure indicator with automatic reset	BLA Electrical / visual pressure indicator
BVQ Visual pressure indicator with manual reset	

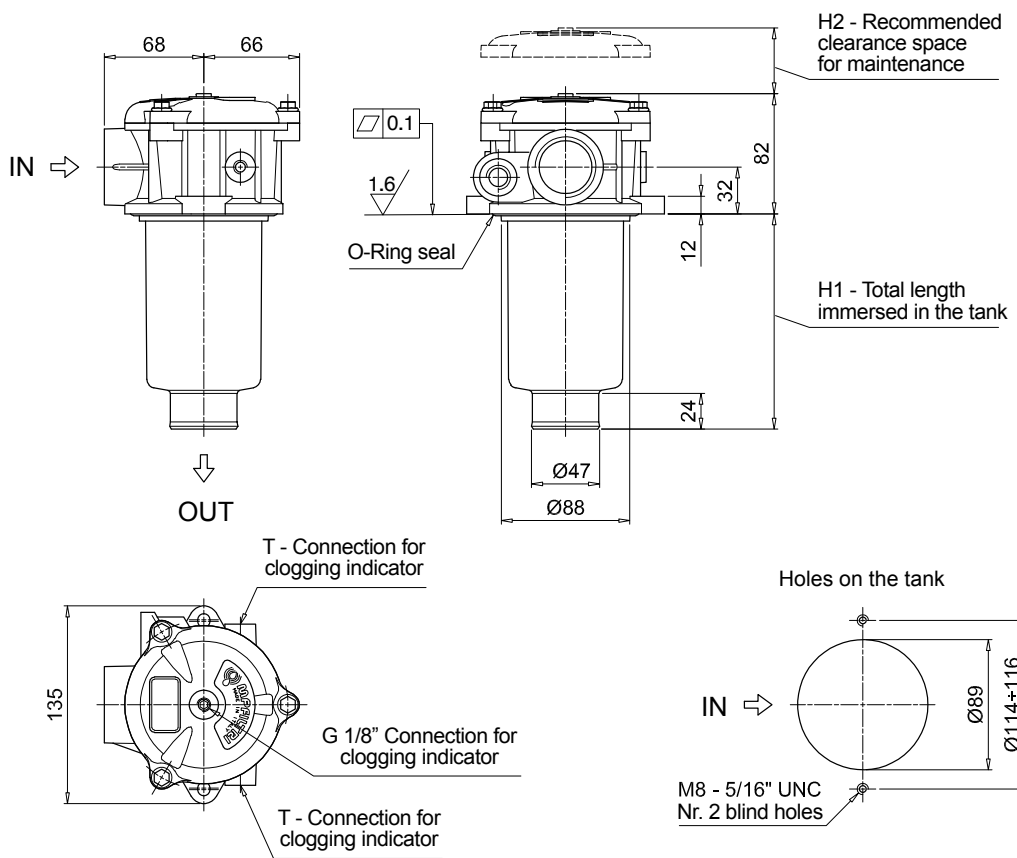
ADDITIONAL FEATURES

See page 262

TE Extension tube	T5 Filler plug M30x1.5
DFS Diffuser with fast lock connection	DPT Dipstick

MPFX110		
Filter length	H1 [mm]	H2 [mm]
1	102	120
2	147	170
3	225	250
4	327	350

Connections	T
G1-G2-G3	G 1/8"
G4-G5-G6-G7-G8-G9	1/8" NPT
G10	G 1/8"
G11-G12	1/8" NPT



MPFX MPFX181 - MPFX191

Designation & Ordering code

COMPLETE FILTER

Series and size		Configuration example 1: MPFX181		1	A	G1	A25	H	E	P01
MPFX181 MPFX191 Filter featuring MYCLEAN Filter Element		Configuration example 2: MPFX191		2	V	G2	P10	N	B	P01

Length	Size 181	Size 191
1	•	-
2	•	•

Seals and treatments	
A NBR	B NBR flat seal on head
V FPM	D FPM flat seal on head
W NBR head anodized	L NBR head anodized, flat seal on head
Z FPM head anodized	M FPM head anodized, flat seal on head

Connections	
G1 G 1 1/4"	G5 1 1/2" NPT
G2 G 1 1/2"	G7 SAE 20 - 1 5/8" - 12 UN
G4 1 1/4" NPT	G8 SAE 24 - 1 7/8" - 12 UN

Filtration rating (filter media)	
A03 Inorganic microfiber 3 µm	M25 Wire mesh 25 µm
A06 Inorganic microfiber 6 µm	M60 Wire mesh 60 µm
A10 Inorganic microfiber 10 µm	M90 Wire mesh 90 µm
A16 Inorganic microfiber 16 µm	P10 Resin impregnated paper 10 µm
A25 Inorganic microfiber 25 µm	P25 Resin impregnated paper 25 µm

All filter media except M60, P10 and P25 are compatible with fluids HFA, HFB and HFC

Element Δp		Filter media		
N 10 bar		Axx	Mxx	Pxx
H 10 bar		•	-	-

Bypass valve		Executions		
E 3 bar		Base	zerospark⁺	
B 1.75 bar		P01	Z01	MP Filtri standard
		Pxx	Zxx	Customized

FILTER ELEMENT

Element series and size		Configuration example 1: MFX180		1	A25	H	B	E	P01
MFX180 Filter Element with MYCLEAN feature		Configuration example 2: MFX180		2	P10	N	V		P01

Element length	1	2
	•	•

Filtration rating (filter media)	
A03 Inorganic microfiber 3 µm	M25 Wire mesh 25 µm
A06 Inorganic microfiber 6 µm	M60 Wire mesh 60 µm
A10 Inorganic microfiber 10 µm	M90 Wire mesh 90 µm
A16 Inorganic microfiber 16 µm	P10 Resin impregnated paper 10 µm
A25 Inorganic microfiber 25 µm	P25 Resin impregnated paper 25 µm

Element Δp		Filter media		
N 10 bar		Axx	Mxx	Pxx
H 10 bar		•	-	-

Seals		Bypass valve		Executions		
B NBR		E 3 bar		Base	zerospark⁺	
V FPM		- 1.75 bar		P01	Z01	MP Filtri standard
				Pxx	Zxx	Customized

CLOGGING INDICATORS

See page 680-681

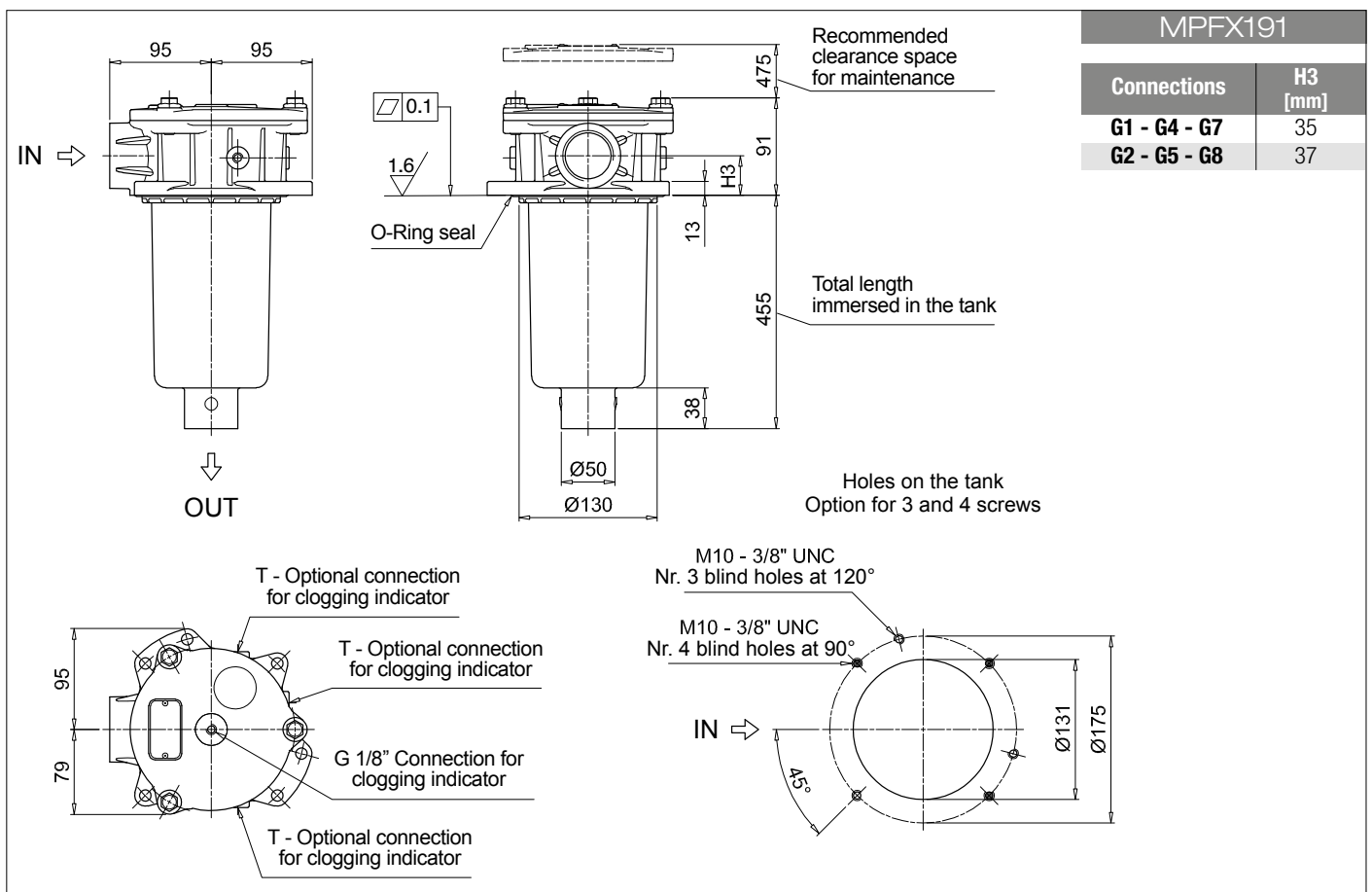
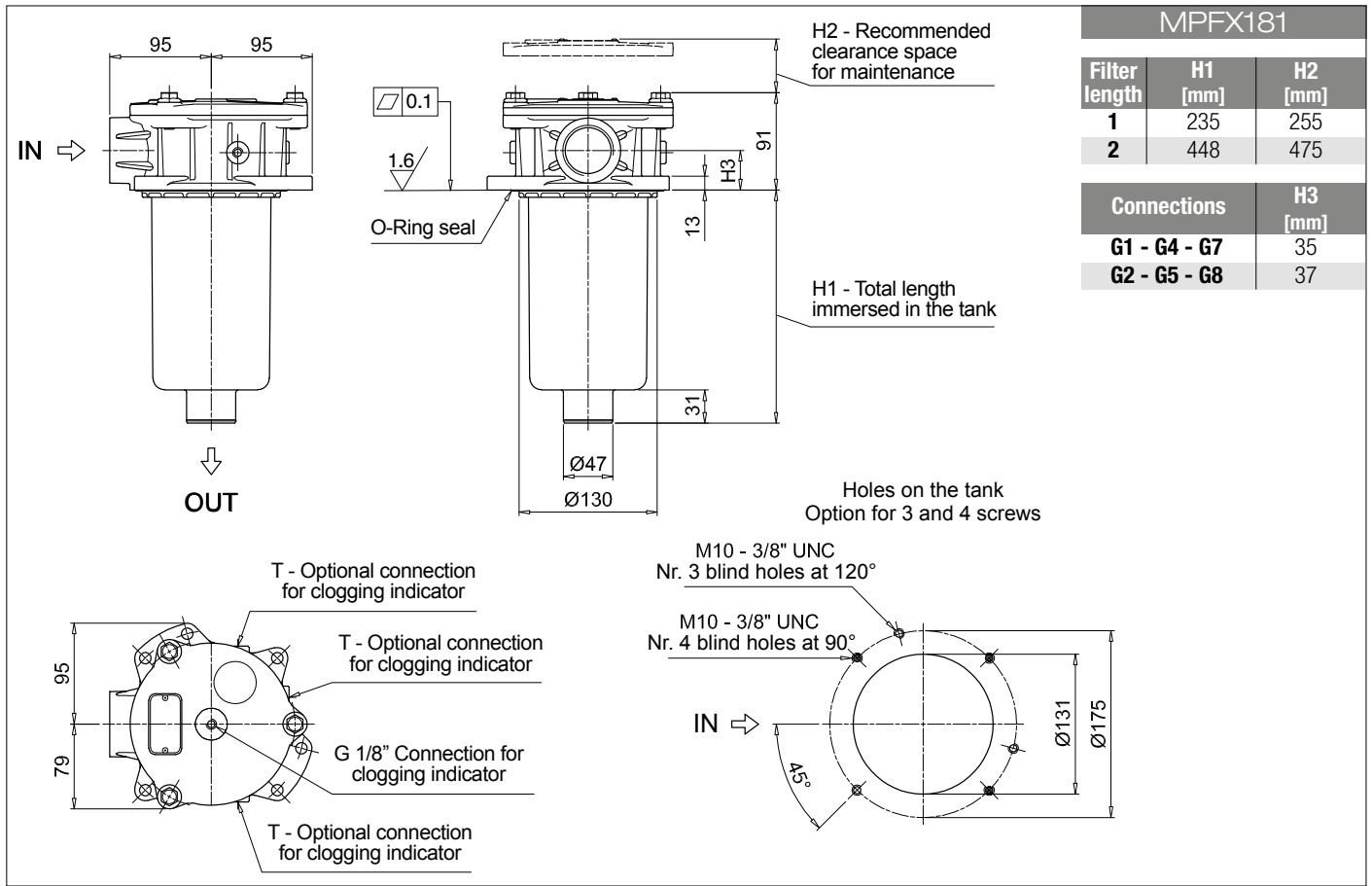
BVA Axial pressure gauge
BVR Radial pressure gauge
BVP Visual pressure indicator with automatic reset
BVQ Visual pressure indicator with manual reset

BEA Electrical pressure indicator
BEM Electrical pressure indicator
BLA Electrical / visual pressure indicator

ADDITIONAL FEATURES

See page 262

TE Extension tube
T5 Filler plug M30x1.5



MPFX MPFX182 - MPFX192

Designation & Ordering code

COMPLETE FILTER

Series and size			Configuration example 1: MPFX182 1 A G1 1 A25 H E P01									
MPFX182 MPFX192 Filter featuring MYCLEAN Filter Element			Configuration example 2: MPFX192 2 V G4 2 P10 N B P01									
Length	Size 182	Size 192										
1	•	-										
2	•	•										
Seals and treatments												
A NBR	B NBR flat seal on head											
V FPM	D FPM flat seal on head											
W NBR head anodized	L NBR head anodized, flat seal on head											
Z FPM head anodized	M FPM head anodized, flat seal on head											
Main Connections			Aux size 1	Aux size 2								
G1 G 1 1/4"	G 1/2"		G 3/4"									
G4 1 1/4" NPT	1/2" NPT		3/4" NPT									
G7 SAE 20 - 1 5/8" - 12 UN	SAE 8 - 3/16" - 16 UNF		SAE 12 - 1 1/16" - 12 UN									
Aux connection - see previous table												
1 Aux size 1	2 Aux size 2											
Filtration rating (filter media)												
A03 Inorganic microfiber 3 µm	M25 Wire mesh 25 µm											
A06 Inorganic microfiber 6 µm	M60 Wire mesh 60 µm											
A10 Inorganic microfiber 10 µm	M90 Wire mesh 90 µm											
A16 Inorganic microfiber 16 µm	P10 Resin impregnated paper 10 µm											
A25 Inorganic microfiber 25 µm	P25 Resin impregnated paper 25 µm											
All filter media except M60, P10 and P25 are compatible with fluids HFA, HFB and HFC												
Element Δp			Filter media			Bypass valve					Executions	
N 10 bar	Axx	Mxx	Pxx	E 3 bar	Base				zérospark[®]			
H 10 bar	•	•	•	B 1.75 bar	P01	Z01	MP Filtri standard					
	•	-	-		Pxx	Zxx	Customized					

FILTER ELEMENT

Element series and size			Configuration example 1: MFX180 1 A25 H B E P01									
MFX180 Filter Element with MYCLEAN feature			Configuration example 2: MFX180 2 P10 N V P01									
Element length												
1	2											
Filtration rating (filter media)												
A03 Inorganic microfiber 3 µm	M25 Wire mesh 25 µm											
A06 Inorganic microfiber 6 µm	M60 Wire mesh 60 µm											
A10 Inorganic microfiber 10 µm	M90 Wire mesh 90 µm											
A16 Inorganic microfiber 16 µm	P10 Resin impregnated paper 10 µm											
A25 Inorganic microfiber 25 µm	P25 Resin impregnated paper 25 µm											
Element Δp			Filter media			Seals		Bypass valve		Executions		
N 10 bar	Axx	Mxx	Pxx	B NBR	E 3 bar	Base		zérospark[®]				
H 10 bar	•	•	•	V FPM	- 1.75 bar	P01	Z01	MP Filtri standard				
	•	-	-			Pxx	Zxx	Customized				

CLOGGING INDICATORS

See page 680-681

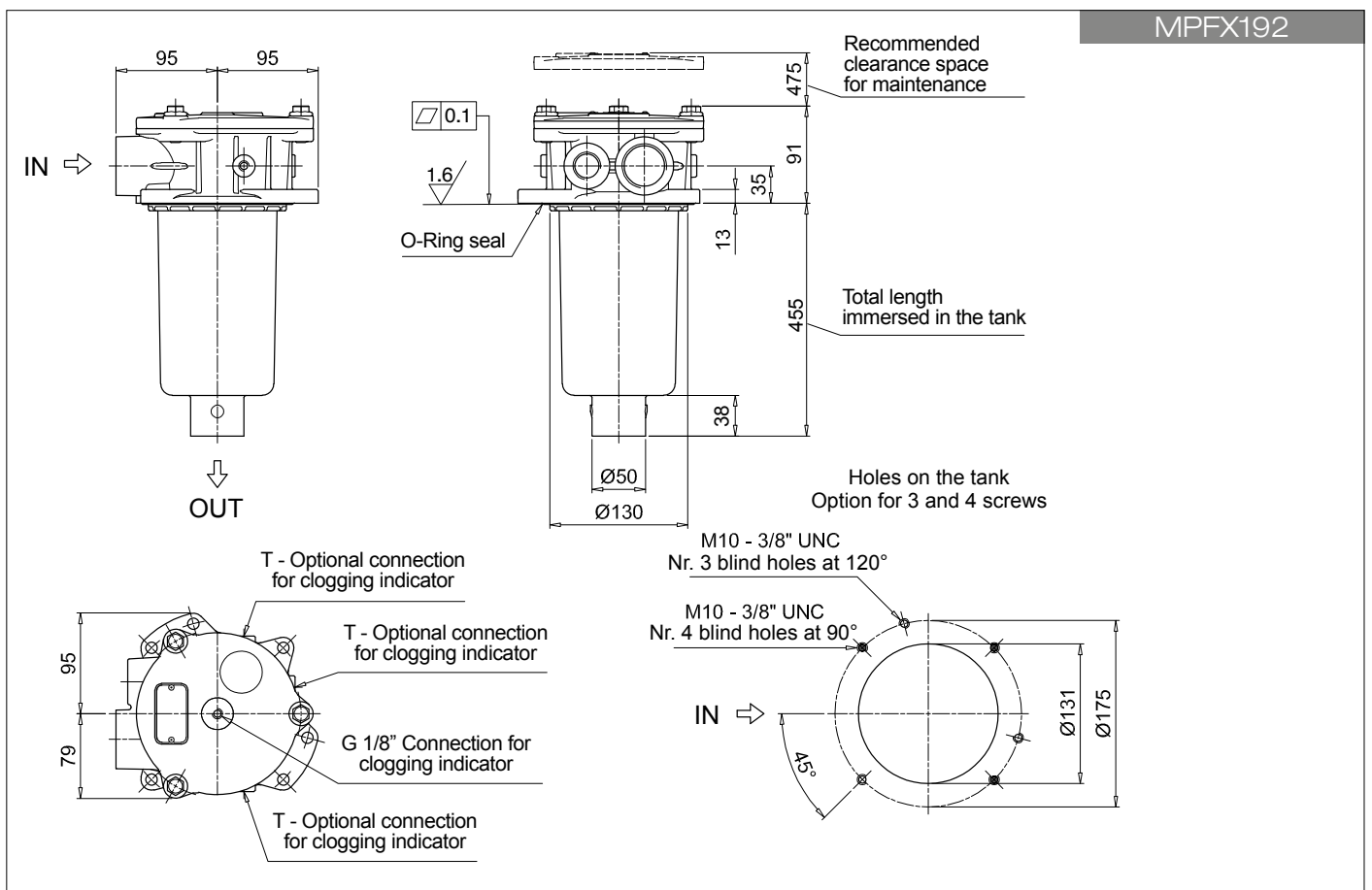
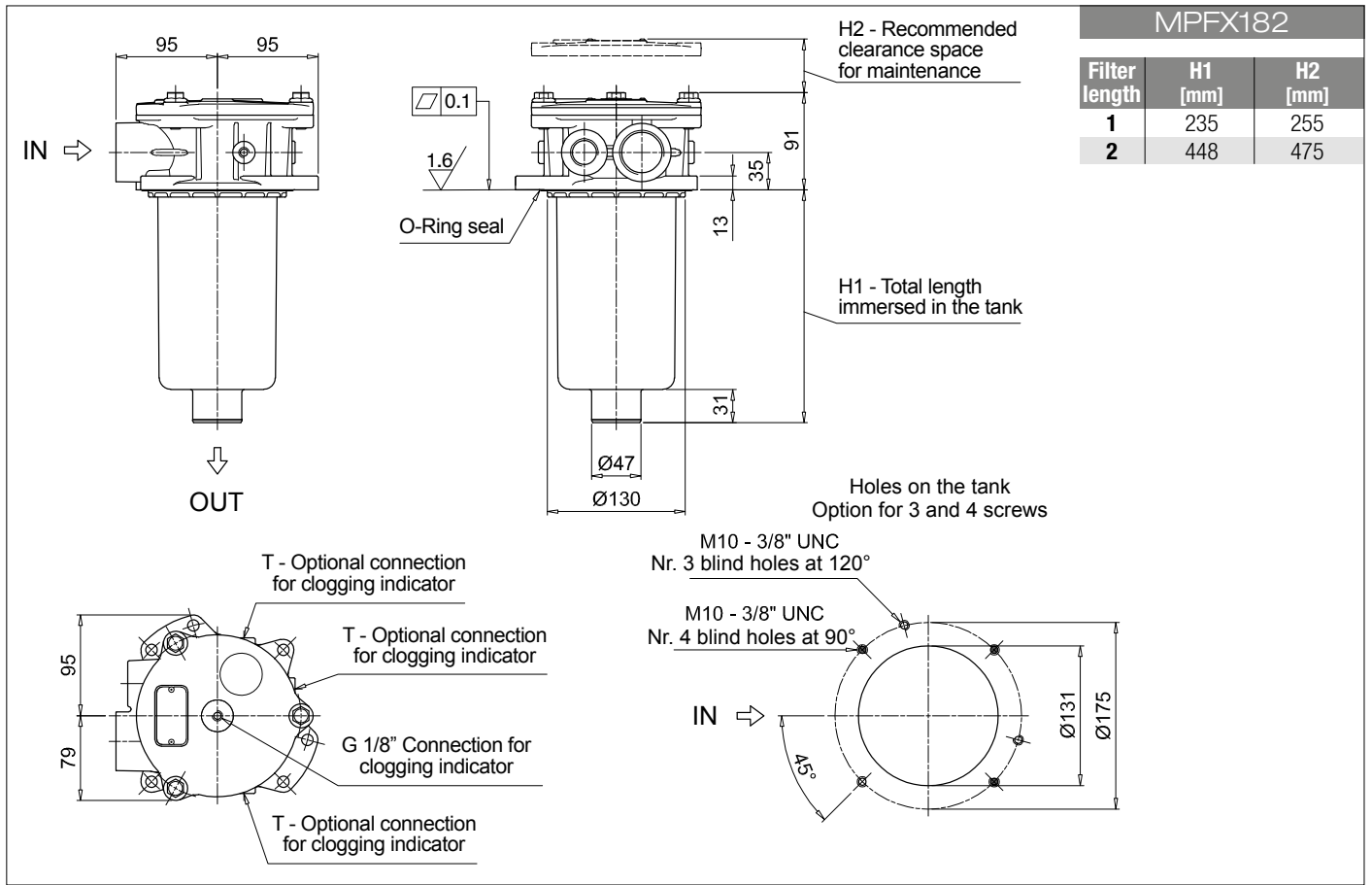
BVA Axial pressure gauge	
BVR Radial pressure gauge	
BVP Visual pressure indicator with automatic reset	
BVQ Visual pressure indicator with manual reset	

BEA Electrical pressure indicator	
BEM Electrical pressure indicator	
BLA Electrical / visual pressure indicator	

ADDITIONAL FEATURES

See page 262

TE Extension tube	
T5 Filler plug M30x1.5	



MPFX MPFX184 - MPFX194

Designation & Ordering code

COMPLETE FILTER

Series and size		Configuration example 1: MPFX184 1 A G1 A25 H E P01									
MPFX184 MPFX194 Filter featuring MYCLEAN Filter Element		Configuration example 2: MPFX194 2 V F3 P10 N B P01									
Length		Size 184		Size 194							
1		•		-							
2		•		•							
Seals and treatments											
A NBR		W NBR		head anodized							
V FPM		Z FPM		head anodized							
Main Connections		Rear connections		Main Connections		Rear connections					
G1 G 1 1/4"		-		G13 G 1 1/2"		-					
G2 G 1 1/4"		G 1 1/4"		G14 G 1 1/2"		G 1 1/4"					
G4 1 1/4" NPT		-		G15 1 1/2" NPT		-					
G5 1 1/4" NPT		1 1/4" NPT		G16 1 1/2" NPT		1 1/4" NPT					
G7 SAE 20 - 1 5/8" - 12 UN		-		F1 1 1/2" SAE 3000 psi/M		-					
G8 SAE 20 - 1 5/8" - 12 UN		SAE 20 - 1 5/8" - 12 UN		F2 1 1/2" SAE 3000 psi/UNC		-					
G10 SAE 24 - 1 7/8" - 12 UN		-		F3 1 1/2" SAE 3000 psi/M		1 1/2" SAE 3000 psi/M					
G11 SAE 24 - 1 7/8" - 12 UN		SAE 20 - 1 5/8" - 12 UN		F4 1 1/2" SAE 3000 psi/UNC		1 1/2" SAE 3000 psi/UNC					
Filtration rating (filter media)											
A03 Inorganic microfiber 3 µm		M25 Wire mesh 25 µm									
A06 Inorganic microfiber 6 µm		M60 Wire mesh 60 µm									
A10 Inorganic microfiber 10 µm		M90 Wire mesh 90 µm									
A16 Inorganic microfiber 16 µm		P10 Resin impregnated paper 10 µm									
A25 Inorganic microfiber 25 µm		P25 Resin impregnated paper 25 µm									
All filter media except M60, P10 and P25 are compatible with fluids HFA, HFB and HFC											
Element Δp		Filter media		Axx		Mxx		Pxx			
N 10 bar		-		•		•					
H 10 bar		•		-		-					
								Bypass valve		Executions	
								E 3 bar		Base zerospark+	
								B 1.75 bar		P01 Z01 MP Filtri standard	
										Pxx Zxx Customized	

FILTER ELEMENT

Element series and size		Configuration example 1: MFX180 1 A25 H B E P01									
MFX180 Filter Element with MYCLEAN feature		Configuration example 2: MFX180 2 P10 N V P01									
Element length		1		2							
Filtration rating (filter media)											
A03 Inorganic microfiber 3 µm		M25 Wire mesh 25 µm									
A06 Inorganic microfiber 6 µm		M60 Wire mesh 60 µm									
A10 Inorganic microfiber 10 µm		M90 Wire mesh 90 µm									
A16 Inorganic microfiber 16 µm		P10 Resin impregnated paper 10 µm									
A25 Inorganic microfiber 25 µm		P25 Resin impregnated paper 25 µm									
Element Δp		Filter media		Axx		Mxx		Pxx			
N 10 bar		-		•		•					
H 10 bar		•		-		-					
								Seals		Bypass valve	
								B NBR		E 3 bar	
								V FPM		- 1.75 bar	
										Executions	
										Base zerospark+	
										P01 Z01 MP Filtri standard	
										Pxx Zxx Customized	

CLOGGING INDICATORS

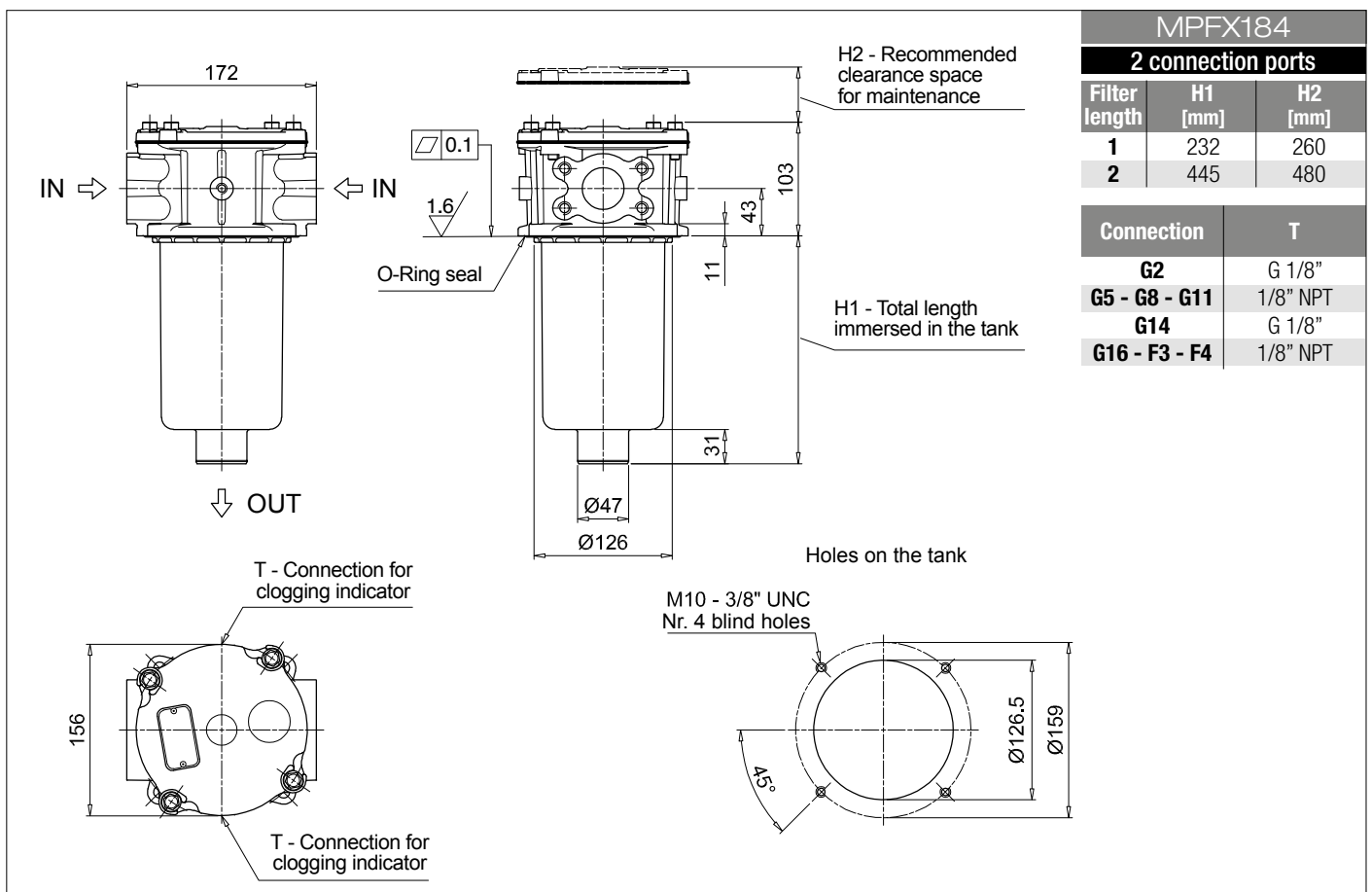
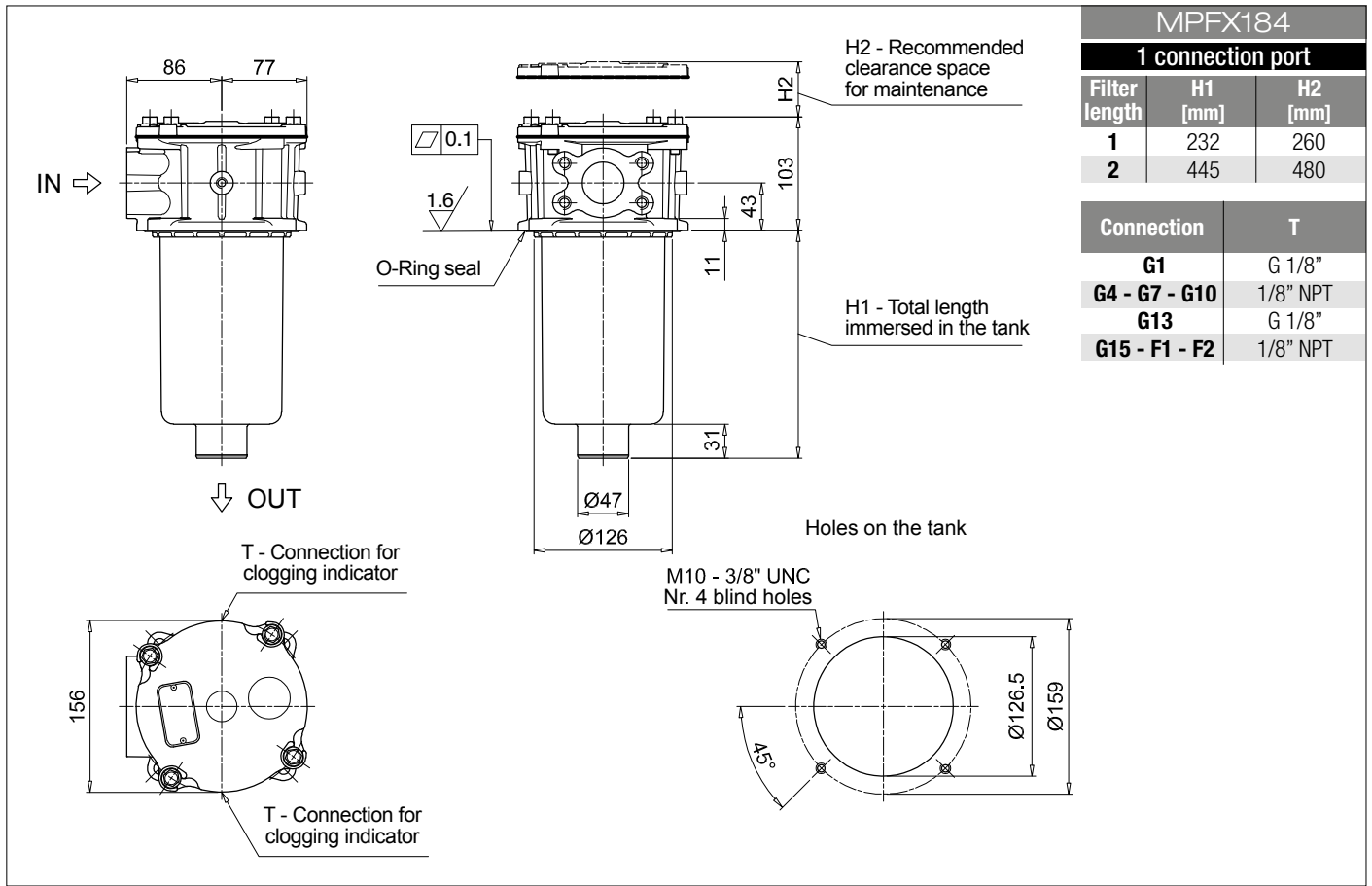
See page 680-681

BVA Axial pressure gauge	BEA Electrical pressure indicator
BVR Radial pressure gauge	BEM Electrical pressure indicator
BVP Visual pressure indicator with automatic reset	BLA Electrical / visual pressure indicator
BVQ Visual pressure indicator with manual reset	

ADDITIONAL FEATURES

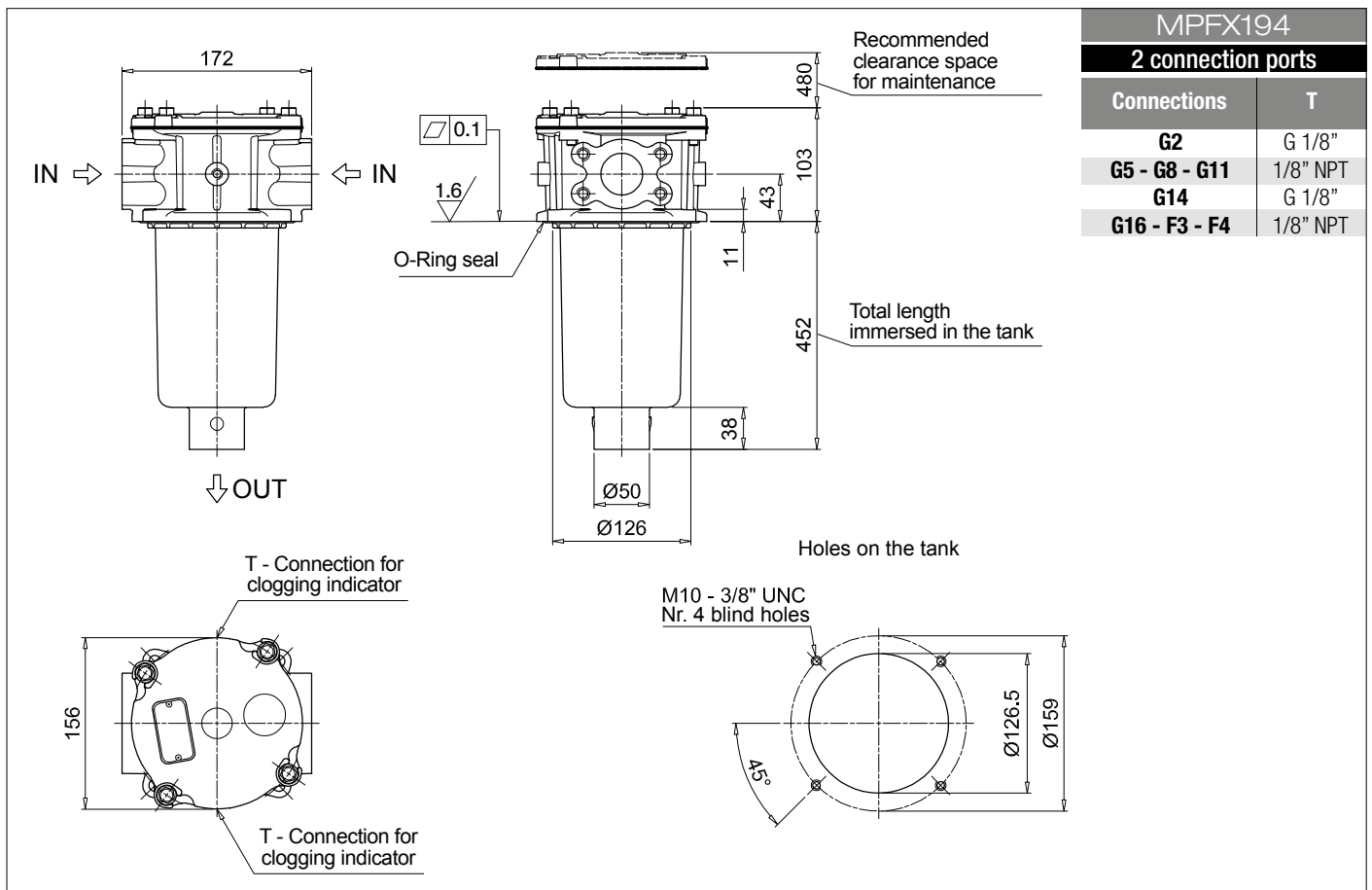
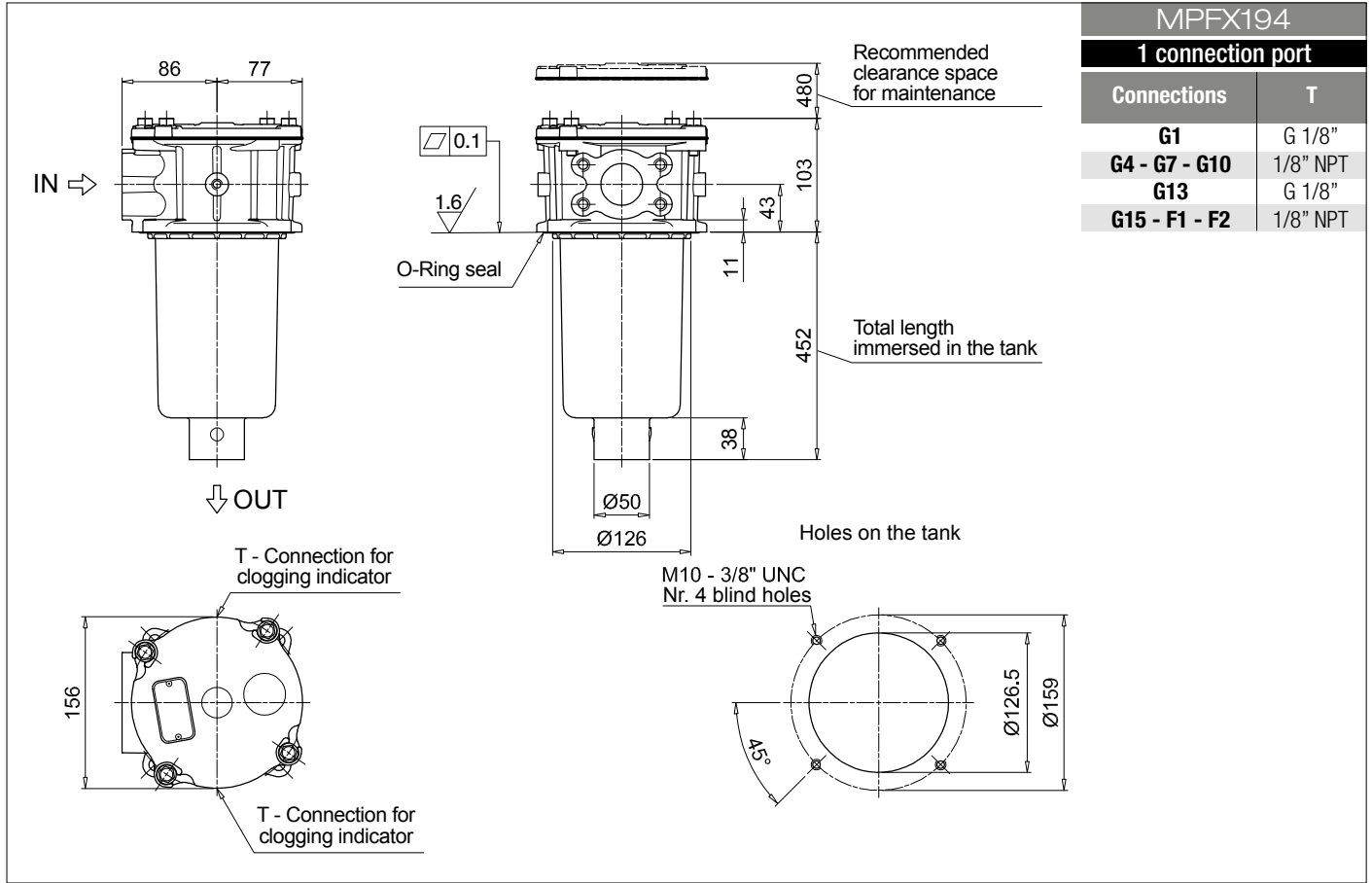
See page 262

TE Extension tube
T5 Filler plug M30x1.5



MPFX MPFX184 - MPFX194

Dimensions



MPFX MPFX400

Designation & Ordering code

COMPLETE FILTER

Series and size MPFX400 Filter featuring MYCLEAN Filter Element	Configuration example 1: MPFX400 1 A G9 A25 H B P01
	Configuration example 2: MPFX400 2 V G4 P10 N E P01
Length 1 2 3	
Seals and treatments A NBR V FPM W NBR head anodized Z FPM head anodized	
Connections G1 G 1 1/4" G6 2" NPT G2 G 1 1/2" G7 SAE 20 - 1 5/8" - 12 UN G3 G 2" G8 SAE 24 - 1 7/8" - 12 UN G4 1 1/4" NPT G9 SAE 32 - 2 1/2" - 12 UN G5 1 1/2" NPT	
Filtration rating (filter media) A03 Inorganic microfiber 3 µm M25 Wire mesh 25 µm A06 Inorganic microfiber 6 µm M60 Wire mesh 60 µm A10 Inorganic microfiber 10 µm M90 Wire mesh 90 µm A16 Inorganic microfiber 16 µm P10 Resin impregnated paper 10 µm A25 Inorganic microfiber 25 µm P25 Resin impregnated paper 25 µm	

All filter media except M60, P10 and P25 are compatible with fluids HFA, HFB and HFC

Element Δp	Filter media			Bypass valve	Executions		
	Axx	Mxx	Pxx		Base	zere spark	
N 10 bar	-	•	•	E 3 bar	P01	Z01	MP Filtri standard
H 10 bar	•	-	-	B 1.75 bar	Pxx	Zxx	Customized

FILTER ELEMENT

Element series and size MFx400 Filter Element with MYCLEAN feature	Configuration example 1: MFx400 1 A25 H B P01
	Configuration example 2: MFx400 2 P10 N V E P01
Element length 1 2 3	
Filtration rating (filter media) A03 Inorganic microfiber 3 µm M25 Wire mesh 25 µm A06 Inorganic microfiber 6 µm M60 Wire mesh 60 µm A10 Inorganic microfiber 10 µm M90 Wire mesh 90 µm A16 Inorganic microfiber 16 µm P10 Resin impregnated paper 10 µm A25 Inorganic microfiber 25 µm P25 Resin impregnated paper 25 µm	

Element Δp	Filter media			Seals	Bypass valve	Executions		
	Axx	Mxx	Pxx			Base	zere spark	
N 10 bar	-	•	•	B NBR	E 3 bar	P01	Z01	MP Filtri standard
H 10 bar	•	-	-	V FPM	- 1.75 bar	Pxx	Zxx	Customized

CLOGGING INDICATORS

See page 680-681

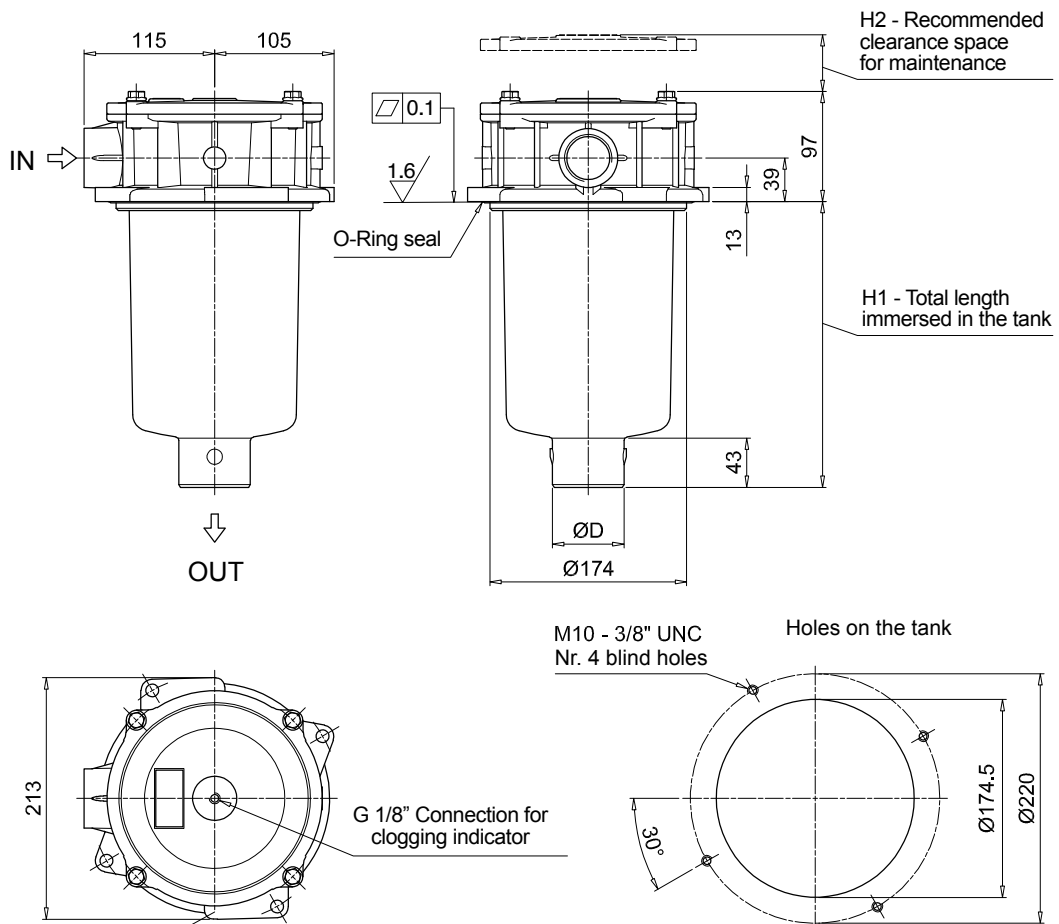
BVA Axial pressure gauge	BEA Electrical pressure indicator
BVR Radial pressure gauge	BEM Electrical pressure indicator
BVP Visual pressure indicator with automatic reset	BLA Electrical / visual pressure indicator
BVQ Visual pressure indicator with manual reset	

ADDITIONAL FEATURES

See page 262

T5 Filler plug M30x1.5

MPFX400			
Filter length	H1 [mm]	H2 [mm]	D [mm]
1	187	210	50
2	252	270	63
3	300	315	63



MPFX MPFX410

Designation & Ordering code

COMPLETE FILTER

Series and size
MPFX410 Filter featuring **MY CLEAN** Filter Element

Configuration example 1: **MPFX410** | 1 | V | G4 | 1 | P10 | N | E | P01
 Configuration example 2: **MPFX410** | 1 | A | G1 | 1 | A25 | H | B | P01

Length
 1 | 2 | 3

Seals and treatments
A NBR
V FPM
W NBR head anodized
Z FPM head anodized

Main Connections	Aux size 1
G1 G 1 1/4"	G 1"
G4 1 1/4" NPT	1" NPT
G7 SAE 20 - 1 5/8" - 12 UN	SAE 16 - 1 5/16" - 12 UN

Aux connection - see previous table
 1 Aux size 1

Filtration rating (filter media)

A03 Inorganic microfiber 3 µm	M25 Wire mesh 25 µm
A06 Inorganic microfiber 6 µm	M60 Wire mesh 60 µm
A10 Inorganic microfiber 10 µm	M90 Wire mesh 90 µm
A16 Inorganic microfiber 16 µm	P10 Resin impregnated paper 10 µm
A25 Inorganic microfiber 25 µm	P25 Resin impregnated paper 25 µm

All filter media except M60, P10 and P25 are compatible with fluids HFA, HFB and HFC

Element Δp	Filter media		
	Axx	Mxx	Pxx
N 10 bar	-	•	•
H 10 bar	•	-	-

Bypass valve	Executions		
	Base	zere spark	
E 3 bar	P01	Z01	MP Filtri standard
B 1.75 bar	Pxx	Zxx	Customized

FILTER ELEMENT

Element series and size
MFx400 Filter Element with **MY CLEAN** feature

Configuration example 1: **MFx400** | 1 | P10 | N | V | E | P01
 Configuration example 2: **MFx400** | 1 | A25 | H | B | P01

Element length
 1 | 2 | 3

Filtration rating (filter media)

A03 Inorganic microfiber 3 µm	M25 Wire mesh 25 µm
A06 Inorganic microfiber 6 µm	M60 Wire mesh 60 µm
A10 Inorganic microfiber 10 µm	M90 Wire mesh 90 µm
A16 Inorganic microfiber 16 µm	P10 Resin impregnated paper 10 µm
A25 Inorganic microfiber 25 µm	P25 Resin impregnated paper 25 µm

Element Δp	Filter media		
	Axx	Mxx	Pxx
N 10 bar	-	•	•
H 10 bar	•	-	-

Seals	Bypass valve	Executions		
		Base	zere spark	
B NBR	E 3 bar	P01	Z01	MP Filtri standard
V FPM	- 1.75 bar	Pxx	Zxx	Customized

CLOGGING INDICATORS

See page 680-681

BVA Axial pressure gauge
BVR Radial pressure gauge
BVP Visual pressure indicator with automatic reset
BVQ Visual pressure indicator with manual reset

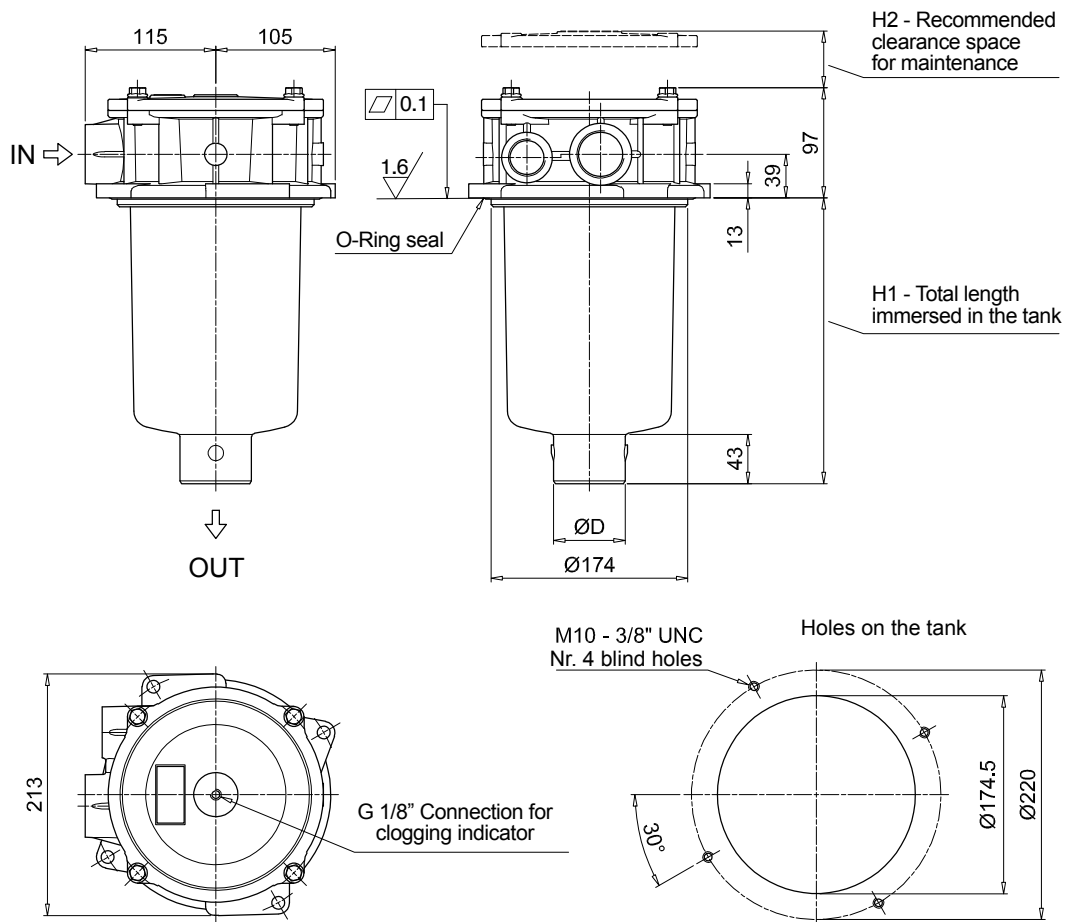
BEA Electrical pressure indicator
BEM Electrical pressure indicator
BLA Electrical / visual pressure indicator

ADDITIONAL FEATURES

See page 262

T5 Filler plug M30x1.5

MPFX410			
Filter length	H1 [mm]	H2 [mm]	D [mm]
1	187	210	50
2	252	270	63
3	300	315	63



MPFX MPFX450 - MPFX451 - MPFX750

Designation & Ordering code

COMPLETE FILTER

Series and size				Configuration example 1: MPFX450 1 A G1 A25 H B P01										
MPFX450 MPFX451 MPFX750				Configuration example 2: MPFX750 1 V F2 P10 N E P01										
Filter featuring MYCLEAN Filter Element														
Length				MPFX 450	MPFX 451	MPFX 750								
1		•	•	•										
2		•	•	-										
3		•	•	-										
Seals and treatments														
A	NBR	W	NBR head anodized											
V	FPM	Z	FPM head anodized											
Connections				Aux (only size 451)										
G1	G 2"				G 3/4"									
G4	2" NPT				3/4" NPT									
G7	SAE 32 - 2 1/2" - 12 UN				SAE 12 - 1 1/16" - 12 UN									
F1	2" SAE 3000 psi/M				G 3/4"									
F2	2" SAE 3000 psi/UNC				3/4" NPT									
Filtration rating (filter media)														
A03	Inorganic microfiber 3 µm	M25	Wire mesh 25 µm											
A06	Inorganic microfiber 6 µm	M60	Wire mesh 60 µm											
A10	Inorganic microfiber 10 µm	M90	Wire mesh 90 µm											
A16	Inorganic microfiber 16 µm	P10	Resin impregnated paper 10 µm											
A25	Inorganic microfiber 25 µm	P25	Resin impregnated paper 25 µm											
All filter media except M60, P10 and P25 are compatible with fluids HFA, HFB and HFC														
Element Δp				Filter media			Bypass valve					Executions		
N	10 bar	Axx	-	Mxx	•	Pxx	E	3 bar	P01	zereospark⁺	Z01	MP Filtri standard		
H	10 bar	Axx	•	Mxx	-	Pxx	B	1.75 bar	Pxx	Zxx	Zxx	Customized		

FILTER ELEMENT

Element series and size				Configuration example 1: MFx400 1 A25 H B P01													
MFx400 MFx750				Configuration example 2: MFx750 1 P10 N V E P01													
Filter Element with MYCLEAN feature																	
Element length				MPFX 450	MPFX 451	MPFX 750											
1		•	•	•													
2		•	•	-													
3		•	•	-													
Filtration rating (filter media)																	
A03	Inorganic microfiber 3 µm	M25	Wire mesh 25 µm														
A06	Inorganic microfiber 6 µm	M60	Wire mesh 60 µm														
A10	Inorganic microfiber 10 µm	M90	Wire mesh 90 µm														
A16	Inorganic microfiber 16 µm	P10	Resin impregnated paper 10 µm														
A25	Inorganic microfiber 25 µm	P25	Resin impregnated paper 25 µm														
Element Δp				Filter media			Seals					Bypass valve			Executions		
N	10 bar	Axx	-	Mxx	•	Pxx	B	NBR	E	3 bar	P01	zereospark⁺	Z01	MP Filtri standard			
H	10 bar	Axx	•	Mxx	-	Pxx	V	FPM	-	1.75 bar	Pxx	Zxx	Zxx	Customized			

CLOGGING INDICATORS

See page 680-681

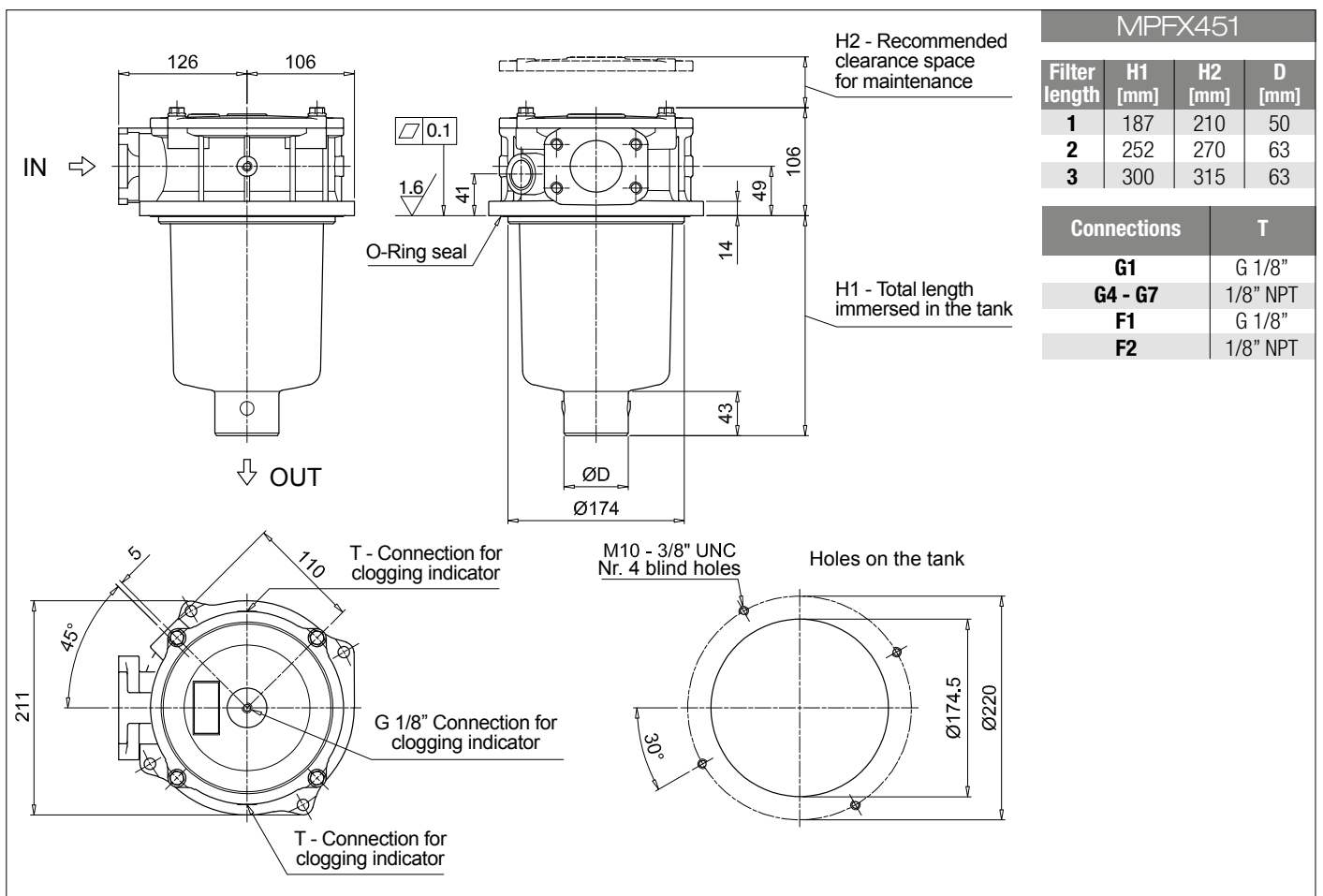
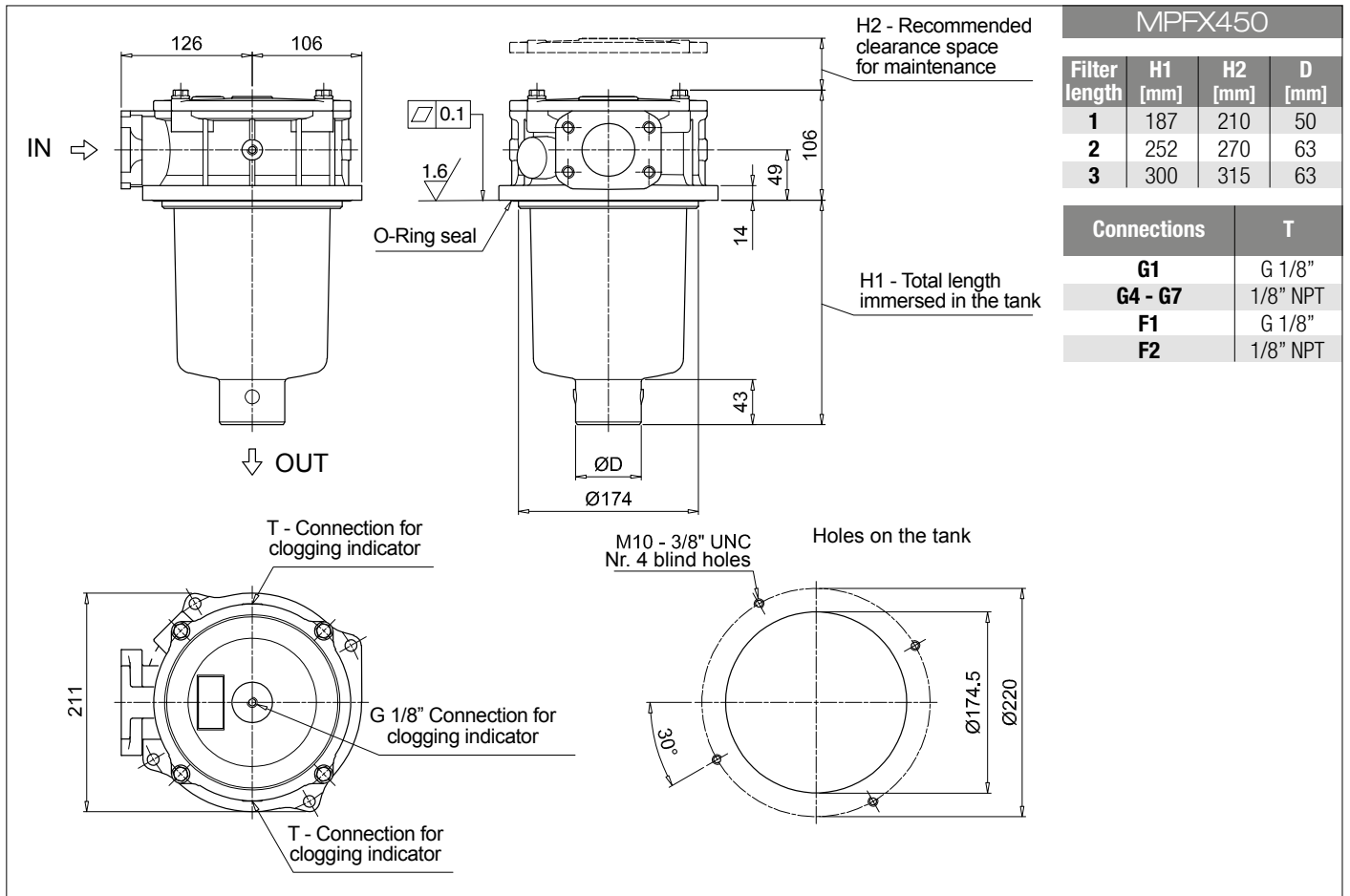
BVA	Axial pressure gauge
BVR	Radial pressure gauge
BVP	Visual pressure indicator with automatic reset
BVQ	Visual pressure indicator with manual reset

BEA	Electrical pressure indicator
BEM	Electrical pressure indicator
BLA	Electrical / visual pressure indicator

ADDITIONAL FEATURES

See page 262

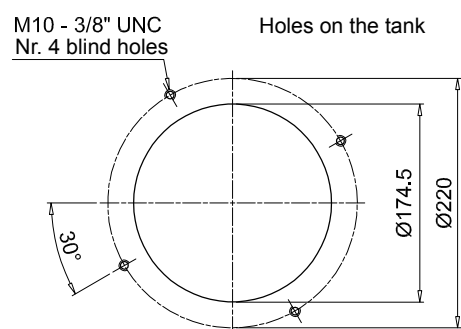
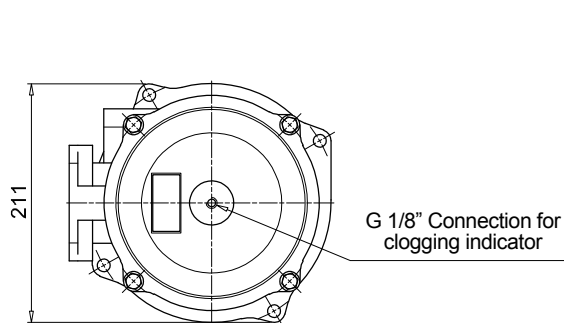
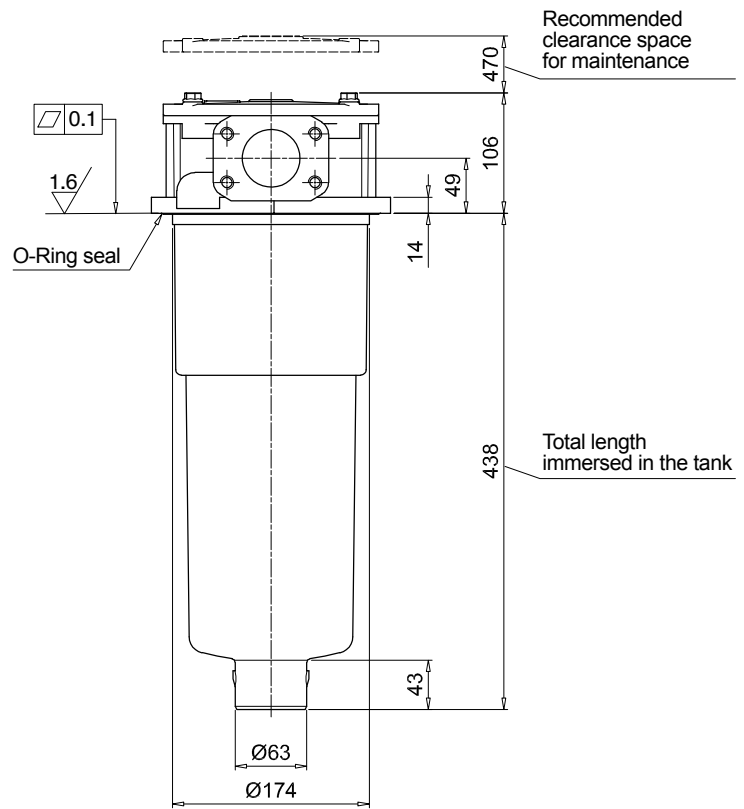
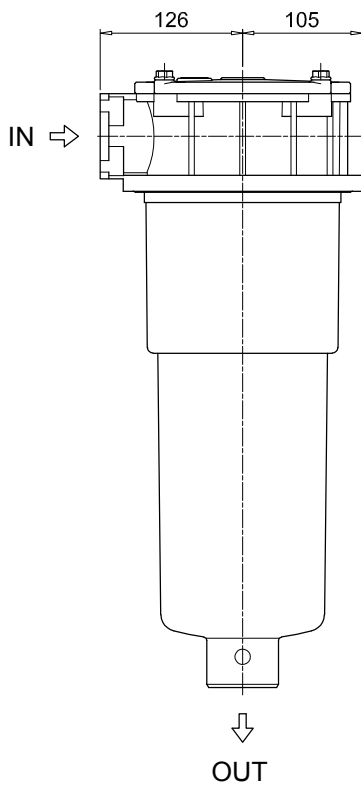
T5	Filler plug M30x1.5
-----------	---------------------



MPFX MPFX450 - MPFX451 - MPFX750

Dimensions

MPFX750



MPFX 100

MPFX 181

O-RING SEAL

	Q.ty: 1 pc.	Q.ty: 1 pc.	
Item:	2	3 (3a ÷ 3d)	
Filter series	Filter element	Seal Kit code number	
		NBR	FPM
MPFX 030	See order table	02050675	02050676
MPFX 100-110		02050677	02050678
MPFX 181-182		02050681	02050682
MPFX 184		02050685	02050686
MPFX 191-192		02050683	02050684
MPFX 194		02050687	02050688
MPFX 400-410		02050695	02050696
MPFX 450-451		02050697	02050698
MPFX 750		02050699	02050700

MPFX 104

MPFX 181

FLAT SEAL

	Q.ty: 1 pc.	Q.ty: 1 pc.	
Item:	2	3 (3a ÷ 3d)	
Filter series	Filter element	Seal Kit code number	
		NBR	FPM
MPFX 104	See order table	02050679	02050680
MPFX 181-182		02050691	02050692
MPFX 191-192		02050691	02050692

Accessories

POLYAMIDE EXTENSION TUBE

H1 - Total length immersed in the tank

Configuration example: **TE** **40** **A** **250**

Series	Size	Material	Length	H [mm]
TE			200	200
			250	250
			300	300
			350	350
			400	400
			450	450
			500	500

COMPATIBILITY TABLE															
		Tube length													
Filter series	Filter size			Filter length	TE25	TE32	TE40	200	250	300	350	400	450	500	
								H1 [mm]							
MPF - MPFX	30			1	•	-	-	266	316	366	416	466	516	566	
MPF	100	104	110	1	-	•	-	275	325	375	425	475	525	575	
				2	-	-	-	322	372	422	472	522	572	622	
				3	-	-	•	400	450	500	550	600	650	700	
				4	-	-	-	502	552	602	652	702	752	802	
MPFX	100	104	110	1	-	-	•	277	327	377	427	477	527	577	
				2	-	-	•	322	372	422	472	522	572	622	
				3	-	-	•	400	450	500	550	600	650	700	
				4	-	-	-	502	552	602	652	702	752	802	
MPF MPFX	181	182	184	1	-	-	•	410	460	510	560	610	660	710	
				2	-	-	•	623	673	723	773	823	873	923	
MPT MPTX	025		027	1	•	-	-	278	328	378	428	478	528	578	
				2	-	-	-	342	392	442	492	542	592	642	
				3	-	-	-	380	430	480	530	580	630	680	
MPT	110	114	116	120	1	-	•	-	273	323	373	423	473	523	573
					2	-	-	-	320	370	420	470	520	570	620
					3	-	-	•	396	446	496	546	596	646	696
					4	-	-	•	498	548	598	648	698	748	798
MPTX	110	114	116	120	1	-	-	•	273	323	373	423	473	523	573
					2	-	-	•	318	368	418	468	518	568	618
					3	-	-	-	396	446	496	546	596	646	696
					4	-	-	-	498	548	598	648	698	748	798

STEEL EXTENSION TUBE

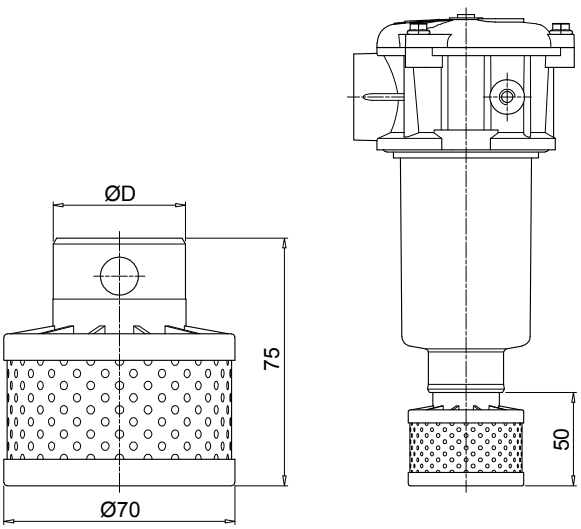
H1 - Total length immersed in the tank

Configuration example: **MPF191** **2** **A** **F1** **A10** **H** **B** **S60**

Series	Size	Material	Length	H1 [mm]
S30			300	
S35			350	
S40			400	
S45			450	
S50			500	
S60			600	
S70			700	
S80			800	
S90			900	

COMPATIBILITY TABLE							
		ø D [mm]					
Filter series	Filter size			Filter length	52	65	
MPF	191	192	194	2	•	-	
				1	•	-	
	400	410	450	451	2	-	•
					3	-	•
	750			1	-	•	

DIFFUSER WITH FAST LOCK CONNECTION

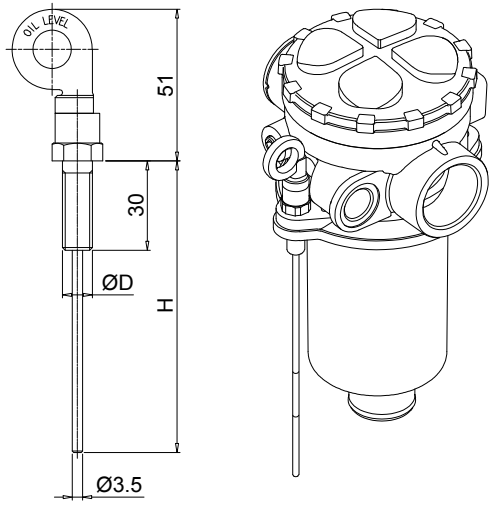


Configuration example: **DFS 32 A 075**

Series		DFS
Size	ø D [mm]	
32	32	
40	40	
Version		A Standard
Length		075 Standard

COMPATIBILITY TABLE							
Filter series	Filter size			Filter Length	DFS32	DFS40	
MPF	100	104	110	1	•	-	
				2	-	-	
				3	-	•	
				4	-	•	
MPFX	100	104	110	1	-	•	
				2	-	•	
				3	-	•	
				4	-	•	
MPT	110	114	116	120	1	•	-
					2	-	-
					3	-	•
					4	-	•
MPTX	110	114	116	120	1	-	•
					2	-	•
					3	-	•
					4	-	•

DIPSTICK



Configuration example: **DPT 20 M10 A P01**

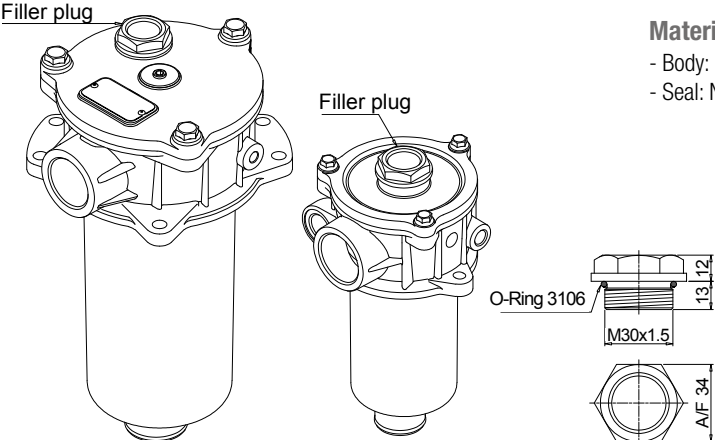
Series		DPT
Length	H [mm]	
15	134	
20	184	
25	234	
30	284	
35	334	

Materials
 - Screw: phosphatized steel
 - Stick: phosphatized steel
 - Handle: Polyamide

Technical data
 Working temperature: from -25 °C to +110 °C

Fastening		M8 Fastening with screws ø D = M8 M10 Fastening with screws ø D = M10
Seals		A NBR V FPM
Execution		P01 MP Filtri standard Pxx Customized

FILLER PLUG



Materials
 - Body: Polyamide
 - Seal: NBR

Technical data
 Tightening torque: 15 N·m

O-Ring 3106
 M30x1.5
 13 12
 A/F 34

For any further information, please, contact our commercial dept.