

TA 46

TAP 50

SAP 50 series

**Metal oil filler  
and air breather filler cap****Nylon oil filler  
and breather plug****Nylon air  
breather filter**

## Technical data

### Air breathers & Filler plugs

#### Metal oil filler and air breather filler cap Flow rate up to 200 l/min

TA46 is a range of compact metal air breathers and filler caps for protection of the tank against the solid contamination contained into the air and filling of the fluid into the systems during the commissioning and maintenance procedures. They are usually directly fitted on the tank. The robust design allows the use of these filters in any heavy-duty application.

#### Available features:

- Male threaded connections up to 1/4" and flanged connection with bayonet, for a maximum flow rate of 200 l/min
- Fine cellulose filtration, to get a good cleanliness level into the reservoir
- Filling basket, to hold the coarse contamination contained into the fluid and to diffuse the fluid flow into the tank

#### Common applications:

- Compact hydraulic systems
- Compact mobile machines
- Industrial equipment

#### Flow rate $\Delta p$ 0.02 bar

TA46	Flow rate [l/min]	
	Filtration rating 03	10
	150	200

#### Materials (version G/N)

- Cover: Chrome plated steel
- Filter element: Resin impregnated paper, Polyurethane
- Flange: Galvanized steel
- Connection: Phosphatized steel

#### Materials (version B)

- Cover: Chrome plated steel
- Filter element: Resin impregnated paper, Polyurethane
- Flange: Galvanized steel
- Connection: Phosphatized steel
- Seals: NBR
- Chain, ring: Cork gasket
- Screws: Galvanized steel
- Basket: Brass

#### Temperature

From -25 °C to +100 °C

#### Weight

TA 46 B 0.10 kg  
TA 46 G/N 0.11 kg



## Designation & Ordering code

### COMPLETE AIR BREATHER - TA46

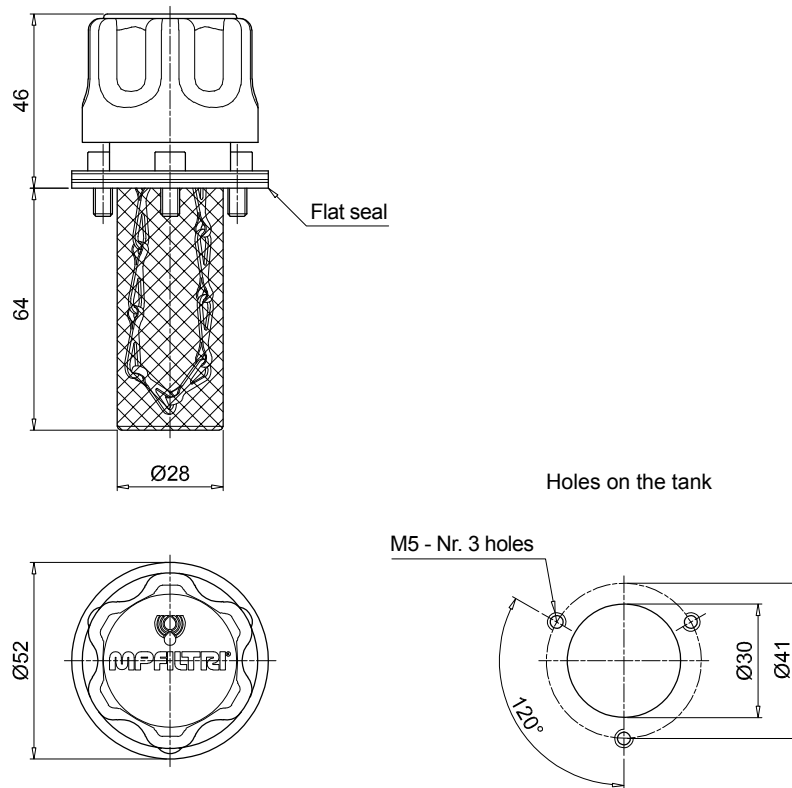
<b>Series and size</b> TA46	Configuration example 1:	TA46	B	03	A	0	0	1	P01
	Configuration example 2:	TA46	G	10					P01
<b>Connections to the tank</b>									
<b>B</b> Screwed flange with bayonet mount									
<b>G</b> Thread G 1/4"									
<b>N</b> Thread 1/4" NPT									
<b>Filtration rating</b>									
<b>03</b> Resin impregnated paper 3 µm									
<b>10</b> Polyurethane 10 µm									
<b>Seals</b>	Connection:	B	G	N					
<b>A</b> NBR		•							
<b>Valve</b>	Connection:	B	G	N					
<b>0</b> Without valve		•							
<b>Version</b>	Connection:	B	G	N					
<b>0</b> Standard		•							
<b>Basket</b>	Connection:	B	G	N					
<b>1</b> With basket		•							

#### Execution

**P01** MP Filtri standard  
**Pxx** Customized

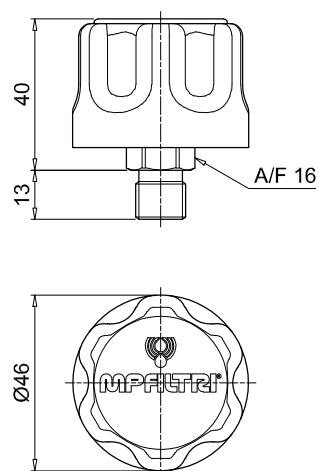
TA46

Screwed flange



TA46

Threaded connection



# TAP 50 GENERAL INFORMATION

## Technical data

### Air breathers & Filler plugs

#### Nylon oil filler and breather plug

##### Flow rate up to 200 l/min

TAP50 is a range of compact plastic air breathers and filler caps for protection of the tank against the solid contamination contained into the air and filling of the fluid into the systems during the commissioning and maintenance procedures.

#### Available features:

- Flanged connection with bayonet, for a maximum flow rate of 200 l/min
- Fine cellulose filtration, to get a good cleanliness level into the reservoir
- Filling basket, to hold the coarse contamination contained into the fluid and to diffuse the fluid flow into the tank

#### Common applications:

- Compact hydraulic systems
- Compact mobile machines
- Industrial equipment

### Flow rate $\Delta p$ 0.02 bar

	Flow rate [l/min]	
	Filtration rating	03
<b>TAP50</b>	180	202

### Materials

- Cover/ringnut: Nylon
- Filter element: Resin impregnated paper, Polyurethane
- Pressurization valve: Nylon, Galvanized steel, NBR
- Seals: NBR
- Flange: Nylon
- Screws: Galvanized steel
- Basket: Nylon

### Temperature

From -25 °C to +100 °C

### Weight

0.60 kg

### Quantity

10 pcs/pack



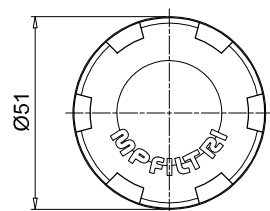
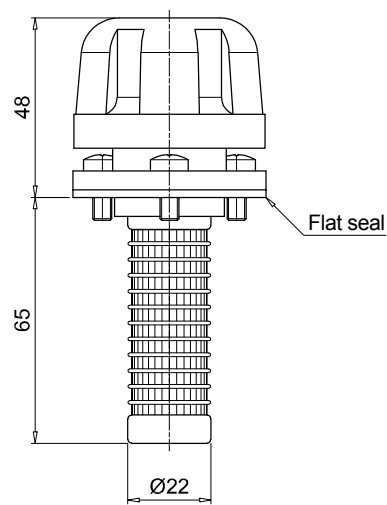
## Designation & Ordering code

### COMPLETE OIL FILLER PLUG - TAP50

Series and size	Configuration example :							
<b>TAP50</b> Nylon oil filler and breather plug	TAP50	C	03	A	1	1	P01	
<b>Connections to the tank</b>								
<b>C</b> Screwed flange with G 3/4" mount								
<b>Filtration rating</b>								
<b>03</b> Resin impregnated paper 3 µm								
<b>10</b> Polyurethane 10 µm								
<b>Seals</b>								
<b>A</b> NBR								
<b>Valve</b>								
<b>0</b> Without valve								
<b>1</b> 0.5 bar pressurization valve								
<b>Basket</b>								
<b>1</b> With basket								
								<b>Execution</b>
								<b>P01</b> MP Filtri standard
								<b>Pxx</b> Customized

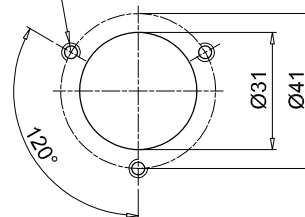
TAP50

Screwed flange



Holes on the tank

M5 - Nr. 3 holes



# SAP 50 GENERAL INFORMATION

## Technical data

### Air breathers & Filler plugs

#### Nylon air breather filter

#### Flow rate up to 200 l/min

SAP50 is a range of compact plastic air breathers for protection of the tank against the solid contamination contained into the air.

The integrated air breather protects the tank against the solid contamination contained into the air. They are usually directly fitted on the tank.

#### Available features:

- Male threaded connections up to 3/4", for a maximum flow rate of 200 l/min.
- Fine cellulose filtration, to get a good cleanliness level into the reservoir.

#### Common applications:

- Compact hydraulic systems
- Compact mobile machines
- Industrial equipment

### Flow rate $\Delta p$ 0.02 bar

	Flow rate [l/min]	
	Filtration rating	03
<b>SAP50</b>	180	204

### Materials

- Cover/Connection: Nylon
- Filter element: Resin impregnated paper, Polyurethane
- Pressurization valve: Nylon, Galvanized steel, NBR
- Seals: NBR

### Temperature

From -25 °C to +100 °C

### Weight

0.40 kg

### Quantity

10 pcs/pack



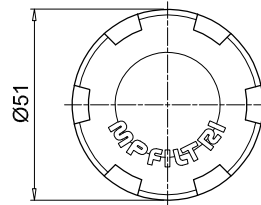
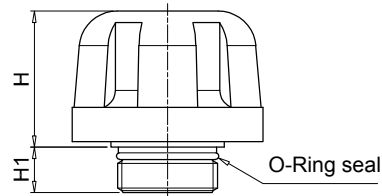
## Designation & Ordering code

### COMPLETE AIR BREATHER - SAP50

Series and size	Configuration example :						
<b>SAP50</b> Nylon air filter	SAP50	G3	L03	A	1	0	P01
Connections to the tank							
<b>G1</b>	G 1/4"						
<b>G2</b>	G 3/8"						
<b>G3</b>	G 1/2"						
<b>G4</b>	G 3/4"						
<b>G9</b>	SAE 6 - 9/16" - 18 UNF						
<b>G10</b>	SAE 12 - 1 1/16" - 12 UN						
Filtration rating							
<b>L03</b>	Resin impregnated paper 3 µm						
<b>L10</b>	Polyurethane 10 µm						
Seals							
<b>A</b>	NBR						
Valve	Connection						
	G1	G2	G3	G4	G9	G10	
<b>0</b>	Without valve						
<b>1</b>	0.5 bar pressurization valve						
Basket							
<b>0</b>	Without basket						
Execution							
<b>P01</b>	MP Filtri standard						
<b>Pxx</b>	Customized						

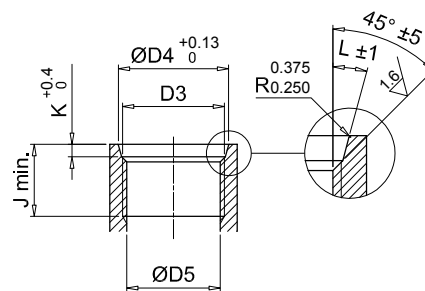
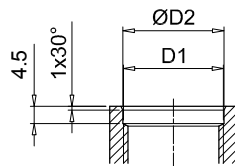
SAP50

Threaded connection



Housing on the tank for connections GAS

Housing on the tank for connections SAE



Connections	H [mm]	H1 [mm]	D1 [mm]	$\text{Ø}D2$ [mm]	D3 [mm]	$\text{Ø}D4$ [mm]	$\text{Ø}D5$ [mm]	J min. [mm]	K [mm]	L
<b>G1</b>	36	12	G 1/4"	13.5	-	-	-	-	-	-
<b>G2</b>	36	12	G 3/8"	17	-	-	-	-	-	-
<b>G3</b>	36	12	G 1/2"	21.5	-	-	-	-	-	-
<b>G4</b>	36	12	G 3/4"	26.7	-	-	-	-	-	-
<b>G9</b>	36	12	-	-	SAE 6 - 9/16" - 18 UNF	15.6	13.081 12.751	12.7	2.5	12°
<b>G10</b>	35	14.5	-	-	SAE 12 - 1 1/16" - 12 UN	29.2	24.978 24.696	19	3.3	15°