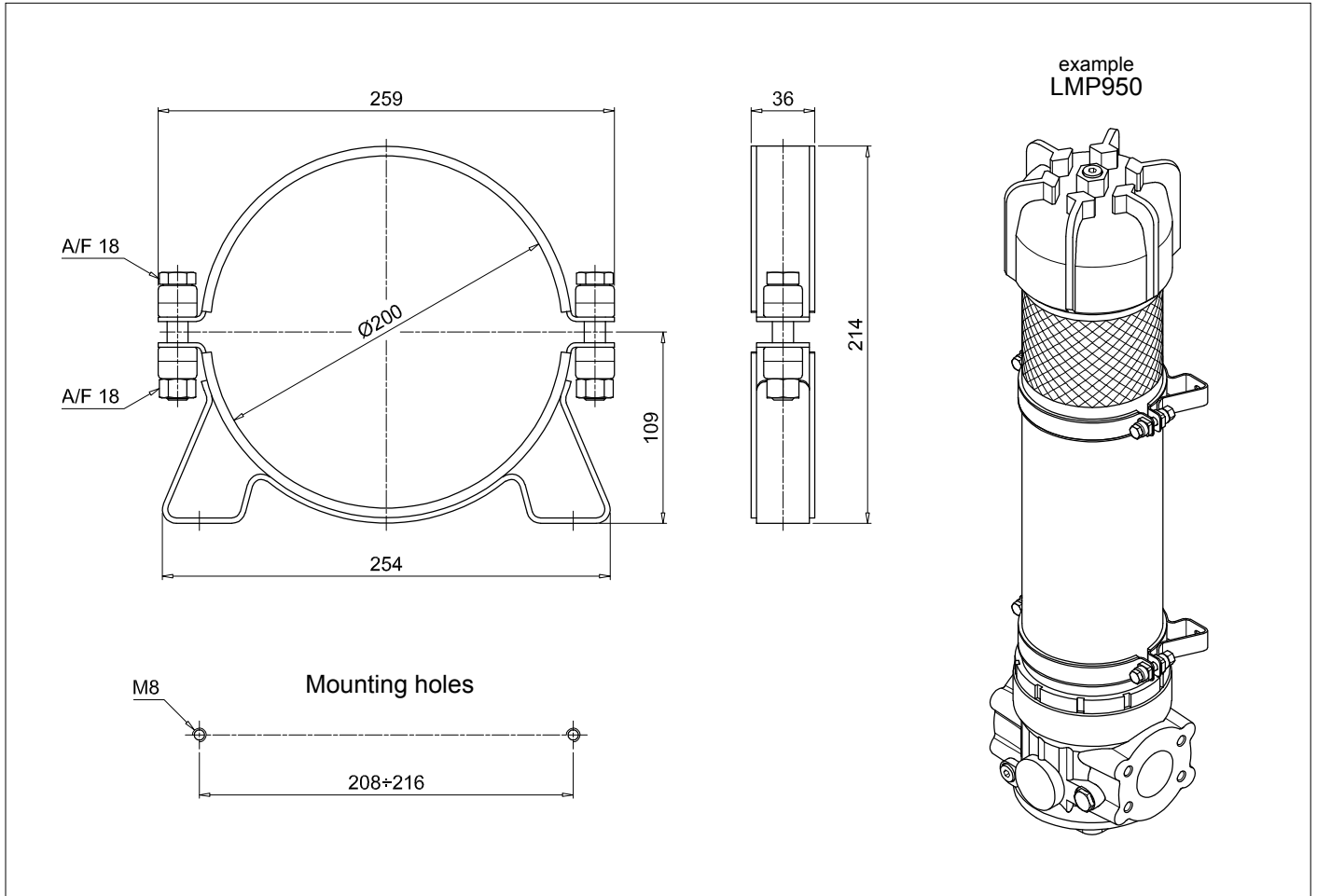


Accessories

RETAINING CLAMP



Series
CFA Retaining clamp

Configuration example: CFA 20 M P01

Size
20

Screw
M Metric

Execution
P01 MP Filtri standard