

MPI series

Maximum working pressure up to 1 MPa (10 bar) - Flow rate up to 3500 l/min



Description

Technical data

Return filter

Maximum working pressure up to 1 MPa (10 bar)

Flow rate up to 3500 l/min

MPI is a range of return filter kits for protection of the reservoir against the system contamination.

They are directly integrated in the reservoir in immersed or semi-immersed position to save space into the tank.

The use of the diffuser is recommended, to place the filter output always immersed into the fluid to avoid aeration or foam generation into the reservoir.

The filtration from inside to outside allows a cleaner filter element replacement, the dirty remains into the filter element.

Available features:

- Fine filtration rating, to get a good cleanliness level into the reservoir
- Bypass valve, to relieve excessive pressure drop across the filter media
- Magnetic filter, to hold the ferrous particles
- Oil dipstick, to easily check the level of the fluid into the reservoir (separate item)
- Diffuser, to reduce the risk of aeration, foaming and noise

Common applications:

Heavy duty industrial equipment

Filter housing materials

- Insert assembly
Polyamide, GF reinforced: MPI 100
Aluminium: MPI 250-630-850

- Diffuser: Tinned Steel

- Valve: Steel

Bypass valve

- Opening pressure 175 kPa (1.75 bar) $\pm 10\%$
- Opening pressure 250 kPa (2.5 bar) $\pm 10\%$, except for MPI 850

Δp element type

- Microfibre filter elements - series MR: 10 bar
- Fluid flow through the filter element from IN to OUT

Seals

- Standard NBR series A
- Optional FPM series V

Temperature

From -25 °C to +110 °C

Note

MPI filters are provided for vertical mounting

Weights [kg] and volumes [dm³]

Filter series	Weights [kg]					Volumes [dm ³]						
	Length	1	2	3	4	5	Length	1	2	3	4	5
MPI 100		0.90	1.00	1.20	1.50	1.80		0.90	0.90	1.20	1.60	1.80
MPI 250		2.20	2.50	2.90	4.30	-		3.50	3.50	4.50	7.00	-
MPI 630		3.40	3.90	4.30	5.40	6.60		5.80	7.40	9.50	11.40	13.50
MPI 850		15.20	18.20	21.20	25.20	-		8.80	12.20	16.70	20.80	-

FILTER ASSEMBLY SIZING Flow rates [l/min]

Filters series	Length	A03	A06	A10	A16	A25	M25 M60 M90	P10	P25
MPI 100	1	26	29	72	79	107	282	164	190
	2	43	46	112	114	161	318	164	190
	3	64	72	132	156	178	324	219	251
	4	90	99	184	198	216	324	266	302
	5	117	128	201	219	244	324	282	318
MPI 250	1	93	102	210	251	315	1093	339	383
	2	124	151	327	412	421	1122	460	514
	3	189	221	418	445	500	1137	544	616
	4	261	304	592	670	766	1166	832	923
MPI 630	1	160	200	369	423	518	1894	565	632
	2	240	257	571	611	1045	1929	1137	1285
	3	330	374	745	788	1308	1938	1416	1577
	4	374	403	887	1010	1348	1956	1448	1612
	5	625	698	1210	1257	1723	2121	1839	1929
MPI 850	1	775	1041	1246	1568	2242	3311	2371	2625
	2	1176	1522	1682	1747	2449	3378	2684	2886
	3	1490	1914	1995	2014	3035	3405	3144	3220
	4	1668	2088	2305	2363	3169	3517	3272	3378

Maximum flow rate for a complete return filter with a pressure drop $\Delta p = 0.5$ bar.

The reference fluid has a kinematic viscosity of 30 mm²/s (cSt) and a density of 0.86 kg/dm³.

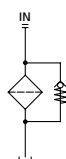
For different pressure drop or fluid viscosity we recommend to use our selection software available on www.mpfiltri.com.

You can also calculate the right size using the formulas present on the FILTER SIZING paragraph at the beginning of the full catalogue or at the beginning of the filter family brochure.

Please, contact our Sales Department for further additional information.

Hydraulic symbol

Filter series	Style 1 connection
MPI 100	•
MPI 250	•
MPI 630	•
MPI 850	•



MPI MPI100 - MPI250 - MPI630 - MPI850

Designation & Ordering code

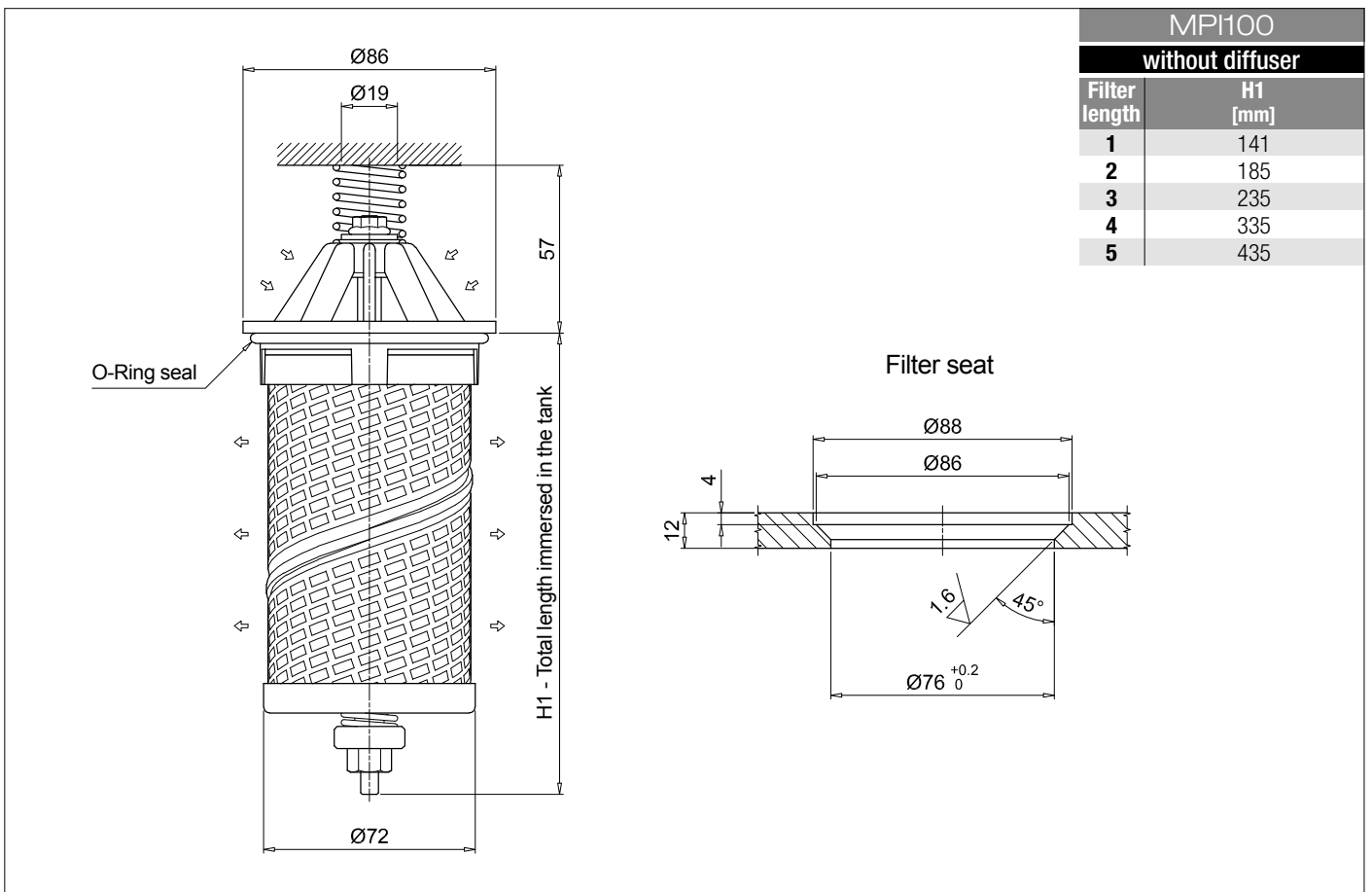
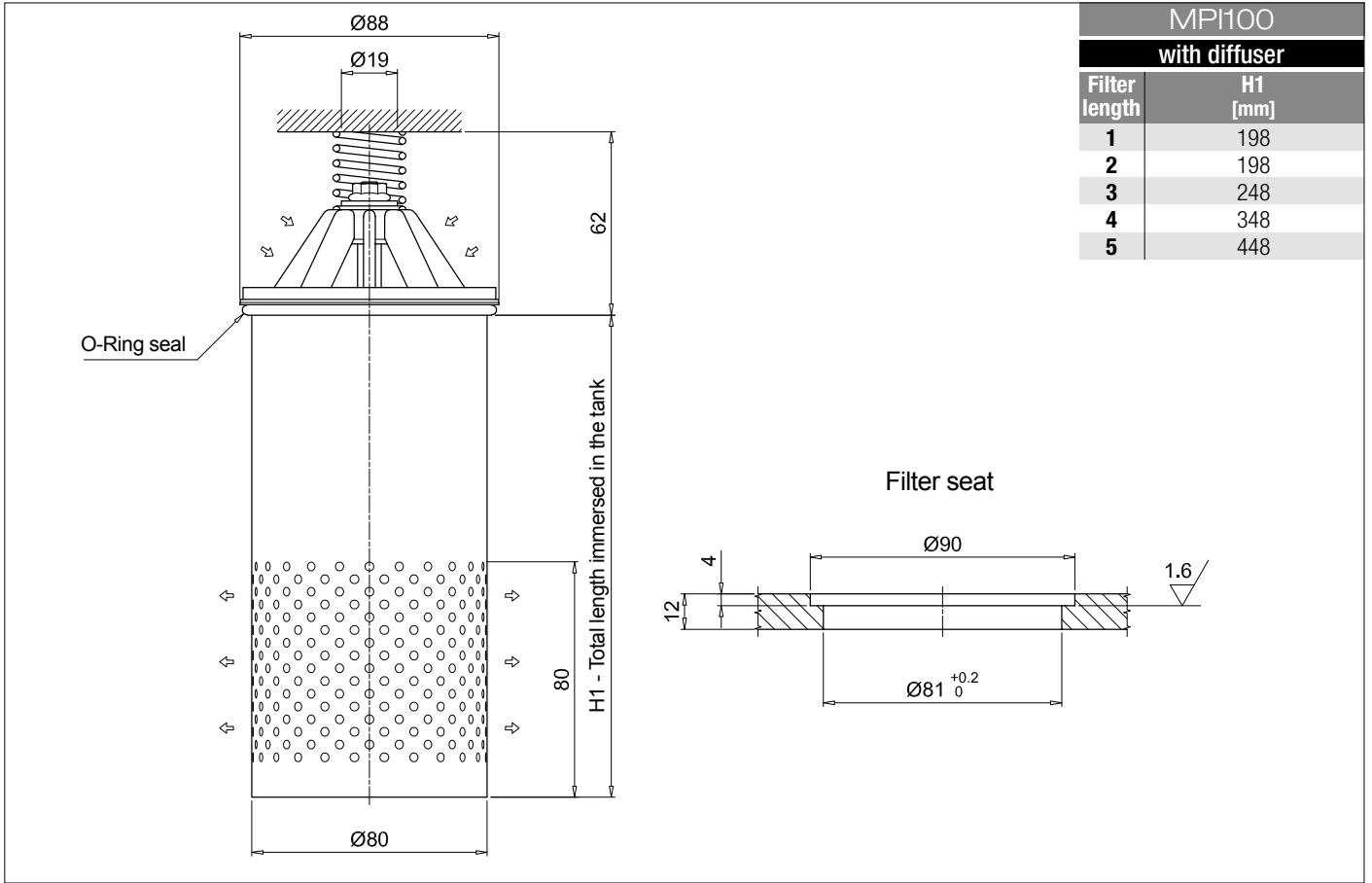
COMPLETE FILTER

Series and size					Configuration example 1: MPI100 1 C D A A10 P01						
MPI100					Configuration example 2: MPI630 5 E D Z M25 P01						
MPI250											
MPI630											
MPI850											
Length					MPI100	MPI250	MPI630	MPI850			
1	•	•	•	•							
2	•	•	•	•							
3	•	•	•	•							
4	•	•	•	•							
5	•	-	•	-							
Bypass valve					MPI100	MPI250	MPI630	MPI850			
S Without bypass	•	•	•	•							
C 1.75 bar	•	•	•	•							
E 2.5 bar	•	•	•	-							
Diffuser and magnetic filter											
D With diffuser, with magnetic filter											
F With diffuser, without magnetic filter											
O Without diffuser, with magnetic filter											
E Without diffuser, without magnetic filter											
Seals and treatments					Filtration rating						
					Axx	Mxx	Pxx				
A NBR					•	•	•				
V FPM					•	•	•				
W NBR head anodized	filter element compatible with fluids HFA-HFB-HFC				•	•	-				
Z FPM head anodized	filter element compatible with fluids HFA-HFB-HFC				•	•	-				
Filtration rating (filter media)											
A03 Inorganic microfiber 3 µm					M25 Wire mesh 25 µm						
A06 Inorganic microfiber 6 µm					M60 Wire mesh 60 µm						
A10 Inorganic microfiber 10 µm					M90 Wire mesh 90 µm						
A16 Inorganic microfiber 16 µm					P10 Resin impregnated paper 10 µm						
A25 Inorganic microfiber 25 µm					P25 Resin impregnated paper 25 µm						
					Execution						
					P01 MP Filtri standard						
					Pxx Customized						

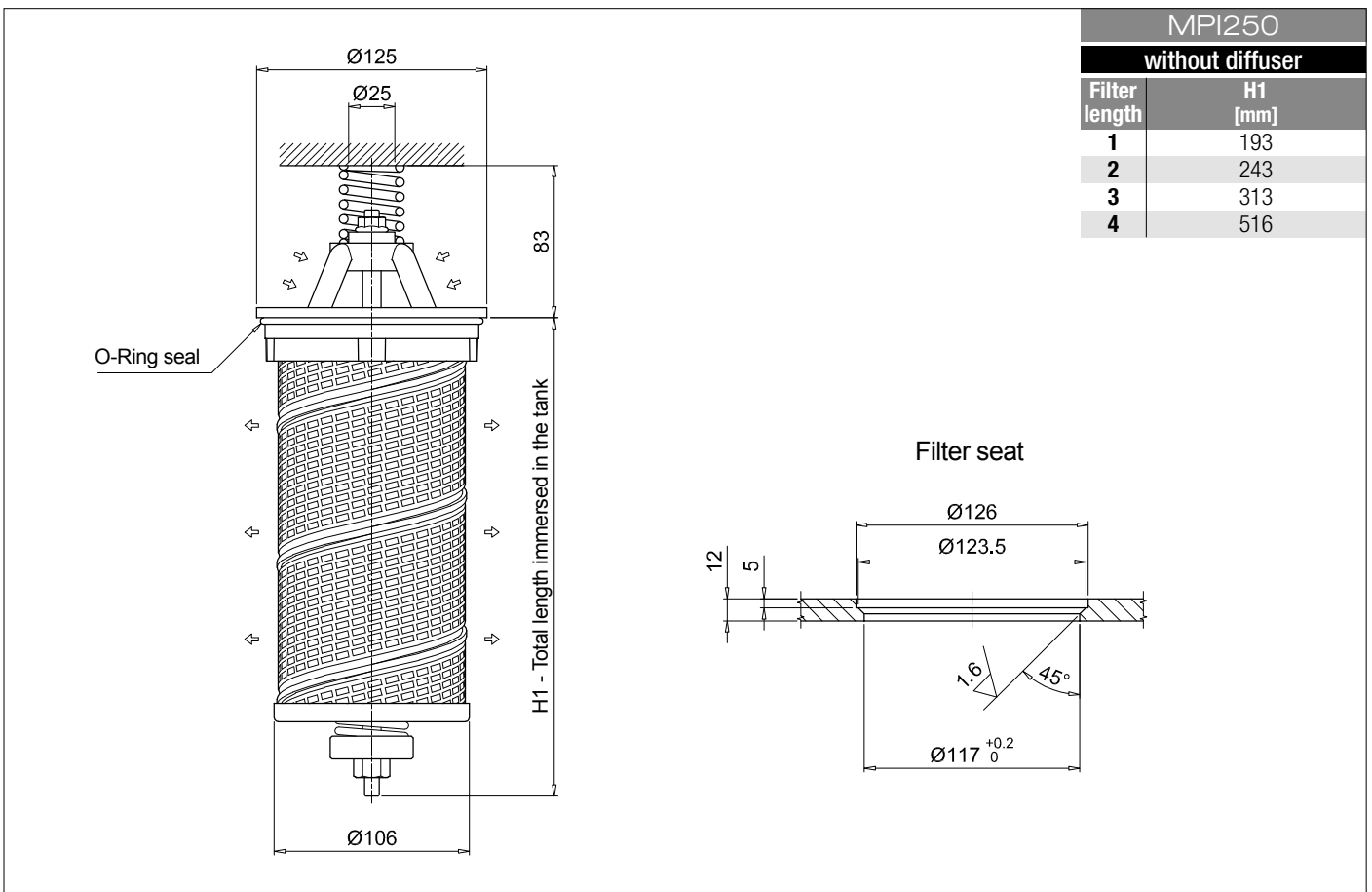
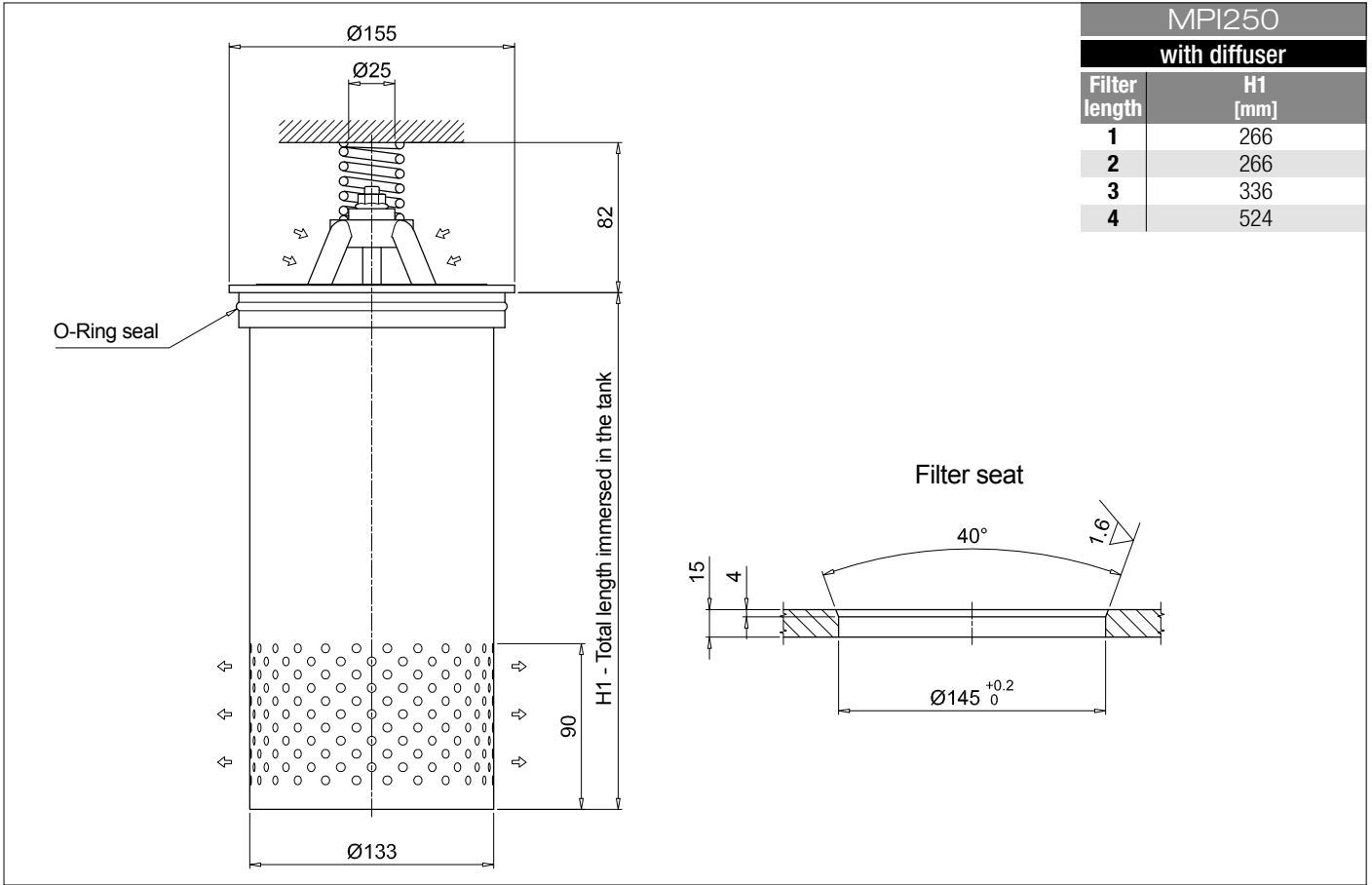
All filter media except M60, P10 and P25 are compatible with fluids HFA, HFB and HFC

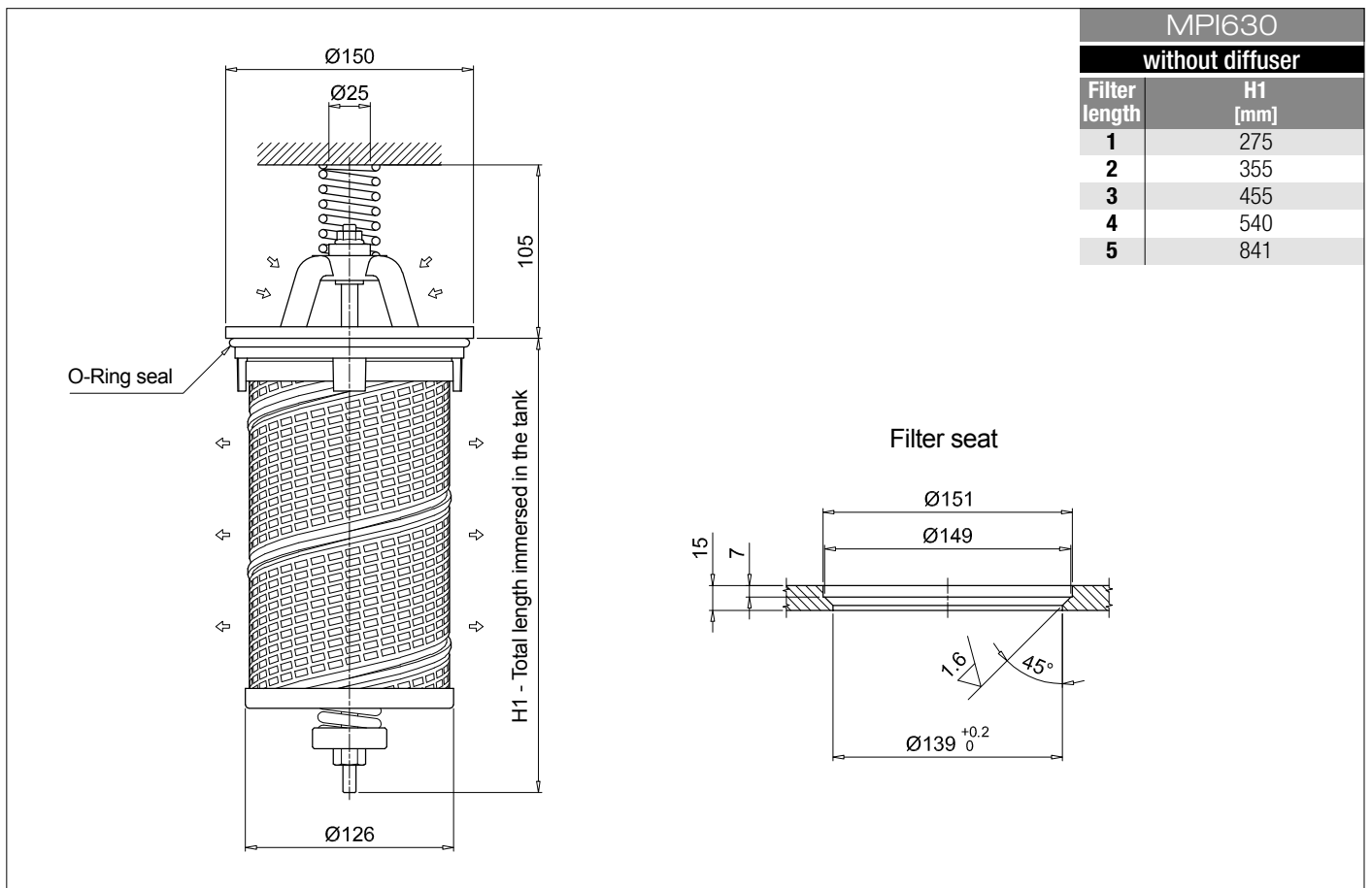
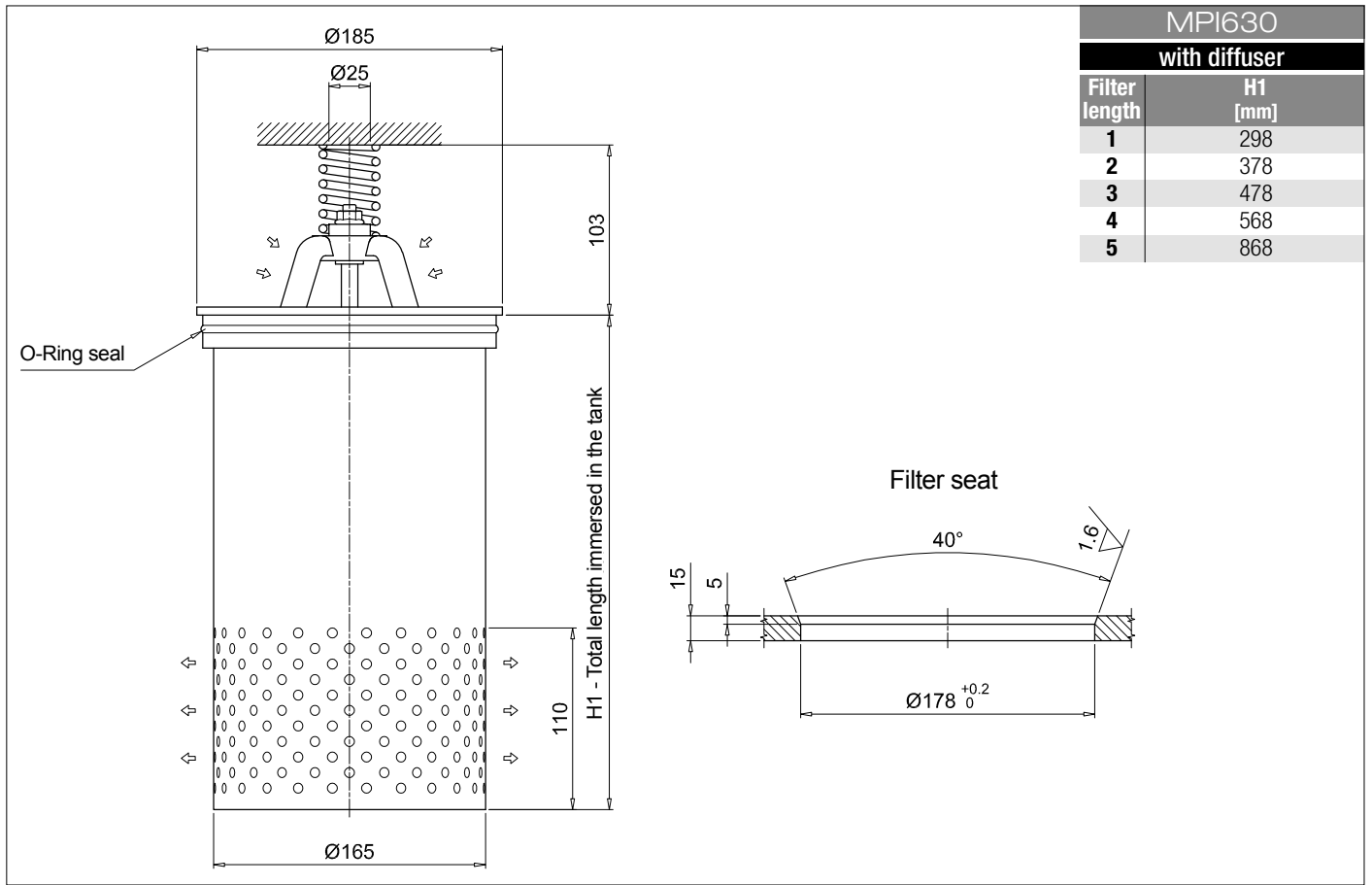
FILTER ELEMENT

Element series and size					Configuration example 1: MR100 1 A10 A P01						
MR100					Configuration example 2: MR630 5 M25 V P01						
MR250											
MR630											
MR850											
Element length					Size 100	Size 250	Size 630	Size 850			
1	•	•	•	•							
2	•	•	•	•							
3	•	•	•	•							
4	•	•	•	•							
5	•	-	•	-							
Filtration rating (filter media)											
A03 Inorganic microfiber 3 µm					M25 Wire mesh 25 µm						
A06 Inorganic microfiber 6 µm					M60 Wire mesh 60 µm						
A10 Inorganic microfiber 10 µm					M90 Wire mesh 90 µm						
A16 Inorganic microfiber 16 µm					P10 Resin impregnated paper 10 µm						
A25 Inorganic microfiber 25 µm					P25 Resin impregnated paper 25 µm						
					Seals			Execution			
					A NBR			P01 MP Filtri standard			
					V FPM			Pxx Customized			



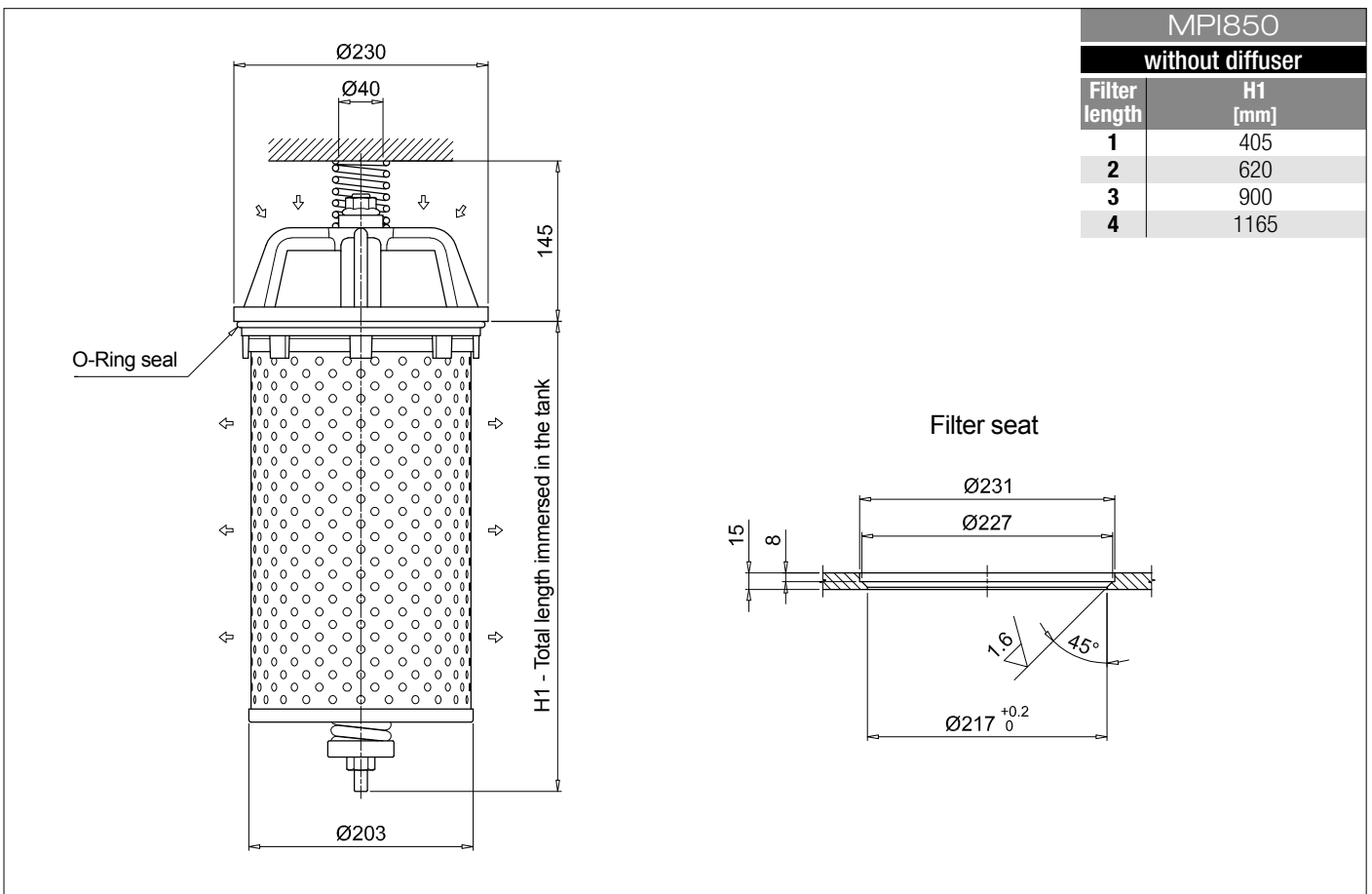
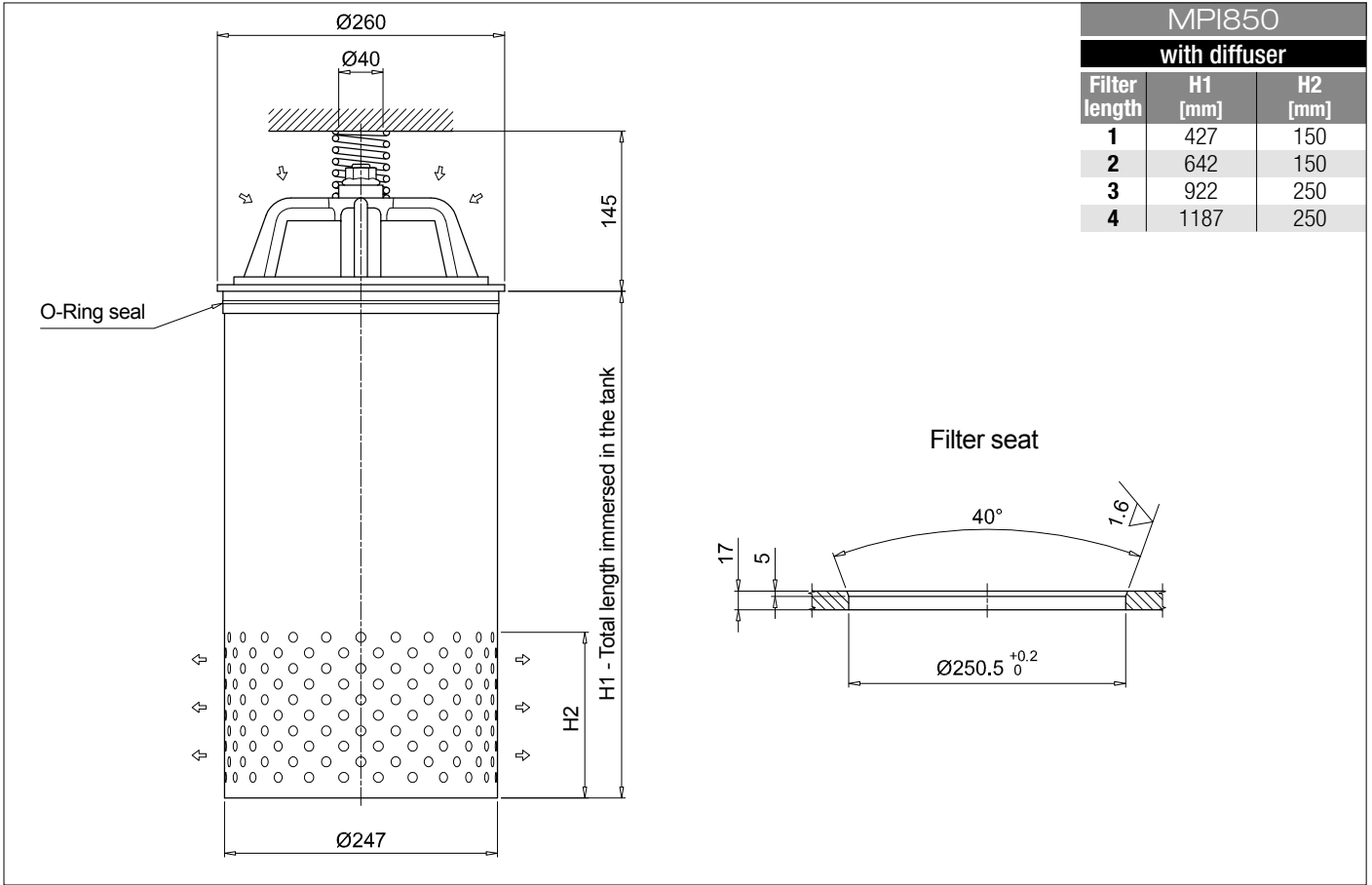
Dimensions





MPI MPI100 - MPI250 - MPI630 - MPI850

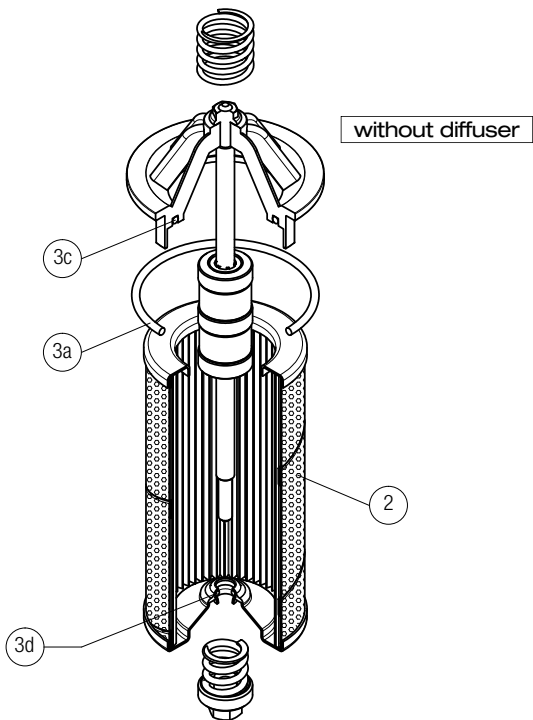
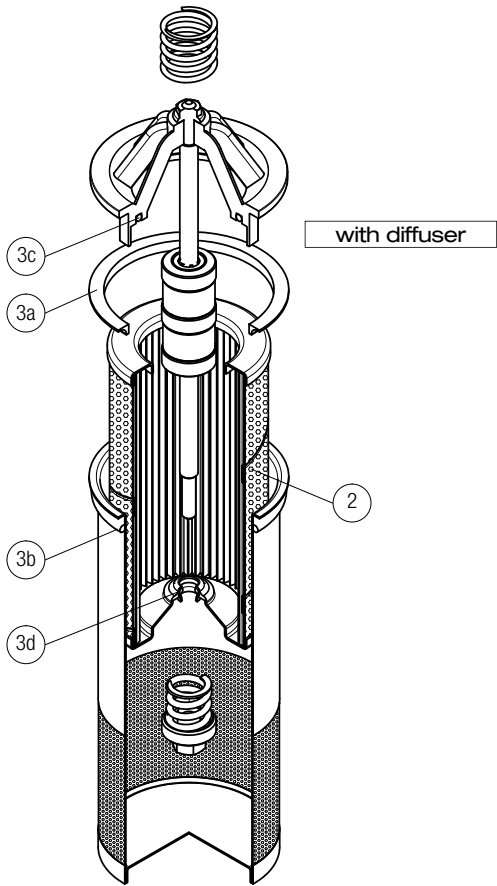
Dimensions



MPI SPARE PARTS

Order number for spare parts

MPI 100



Q.ty: 1 pc.

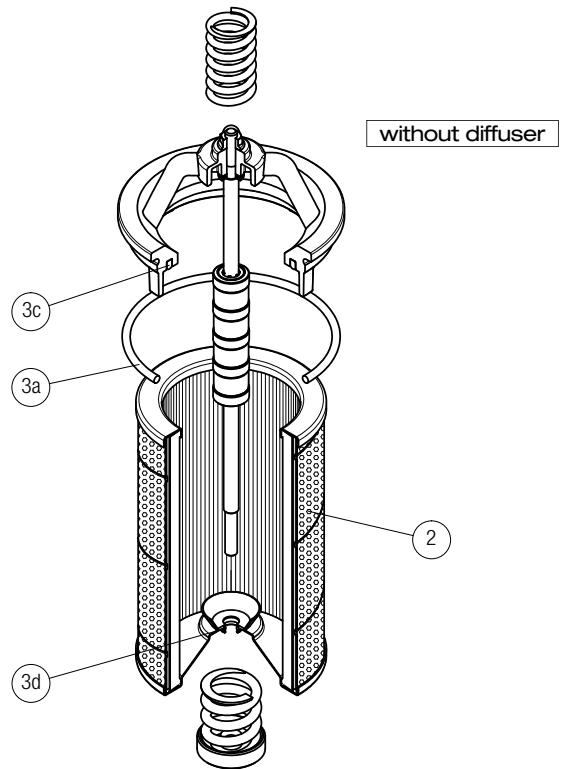
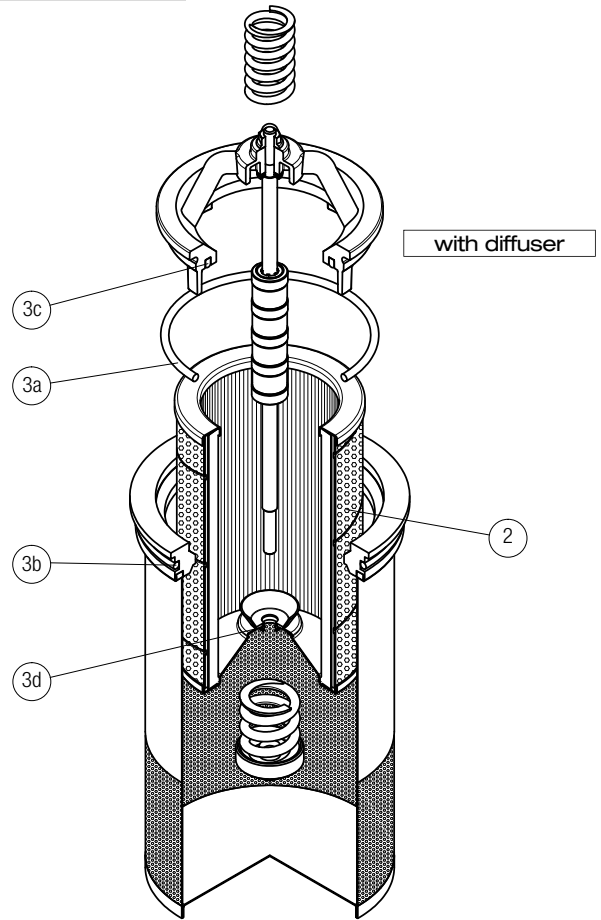
2

Q.ty: 1 pc.

3 (3a ÷ 3d)

Filter series	Filter element	Seal Kit code number	
		NBR	FPM
MPI 100	See order table	02050145	02050146

MPI 250 - 630



Q.ty: 1 pc.

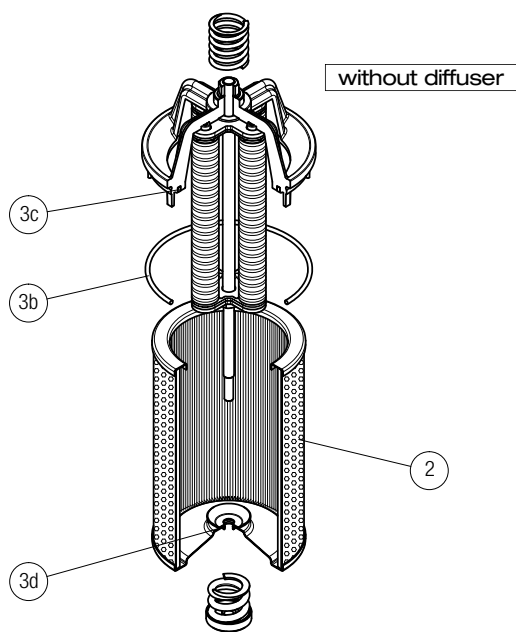
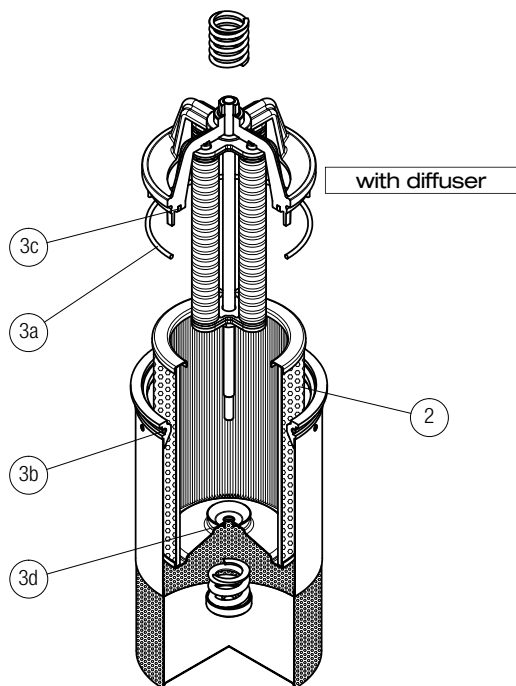
2

Q.ty: 1 pc.

3 (3a ÷ 3d)

Filter series	Filter element	Seal Kit code number	
		NBR	FPM
MPI 250	See order table	02050147	02050148
MPI 630		02050112	02050113

MPI 850



Q.ty: 1 pc.

Q.ty: 1 pc.

Item:

2

3

(3a ÷ 3d)

Filter series

Filter element

Seal Kit code number

NBR

FPM

MPI 850

See order table

02050114

02050115

Accessories

POLYAMIDE EXTENSION TUBE

Configuration example: **TE** **40** **A** **250**

Series	Size	Material	Length	H [mm]
TE			200	200
			250	250
			300	300
			350	350
			400	400
			450	450
			500	500

Filter series		Filter size		Filter length	Tube length										
					TE25	TE32	TE40	200	250	300	350	400	450	500	
MPF - MPFX		30		1	•	-	-	266	316	366	416	466	516	566	
MPF	100	104	110	1	-	•	-	275	325	375	425	475	525	575	
				2	-	-	-	322	372	422	472	522	572	622	
				3	-	-	•	400	450	500	550	600	650	700	
				4	-	-	-	502	552	602	652	702	752	802	
MPFX	100	104	110	1	-	-	•	277	327	377	427	477	527	577	
				2	-	-	•	322	372	422	472	522	572	622	
				3	-	-	•	400	450	500	550	600	650	700	
				4	-	-	-	502	552	602	652	702	752	802	
MPF MPFX	181	182	184	1	-	-	•	410	460	510	560	610	660	710	
				2	-	-	•	623	673	723	773	823	873	923	
MPT MPTX	025		027		1	•	-	-	278	328	378	428	478	528	578
					2	•	-	-	342	392	442	492	542	592	642
					3	-	-	-	380	430	480	530	580	630	680
MPT	110	114	116	120	1	-	•	-	273	323	373	423	473	523	573
					2	-	-	•	320	370	420	470	520	570	620
					3	-	-	-	396	446	496	546	596	646	696
					4	-	-	•	498	548	598	648	698	748	798
MPTX	110	114	116	120	1	-	-	•	273	323	373	423	473	523	573
					2	-	-	•	318	368	418	468	518	568	618
					3	-	-	-	396	446	496	546	596	646	696
					4	-	-	-	498	548	598	648	698	748	798

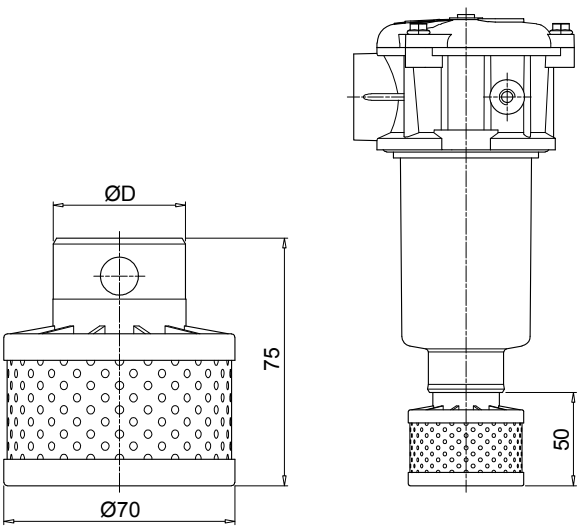
STEEL EXTENSION TUBE

Configuration example: **MPF191** **2** **A** **F1** **A10** **H** **B** **S60**

Series	Size	Material	Length	H1 [mm]
S30			300	300
S35			350	350
S40			400	400
S45			450	450
S50			500	500
S60			600	600
S70			700	700
S80			800	800
S90			900	900

Filter series		Filter size		Filter length	Ø D [mm]		
					52	65	
MPF	400	410	450	451	2	•	-
					1	•	-
					2	-	•
					3	-	•
					1	-	•

DIFFUSER WITH FAST LOCK CONNECTION

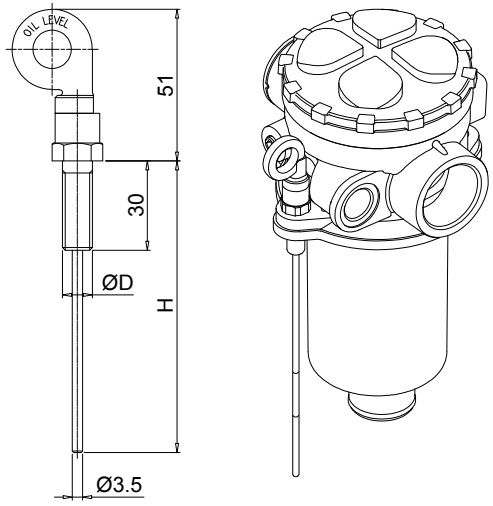


Configuration example: **DFS 32 A 075**

Series		DFS
Size	ø D [mm]	
32	32	
40	40	
Version		A Standard
Length		075 Standard

COMPATIBILITY TABLE							
Filter series	Filter size			Filter Length	DFS32	DFS40	
MPF	100	104	110	1	•	-	
				2	-	-	
				3	-	•	
				4	-	•	
MPFX	100	104	110	1	-	•	
				2	-	•	
				3	-	•	
				4	-	•	
MPT	110	114	116	120	1	•	-
					2	-	-
					3	-	•
					4	-	•
MPTX	110	114	116	120	1	-	•
					2	-	•
					3	-	•
					4	-	•

DIPSTICK



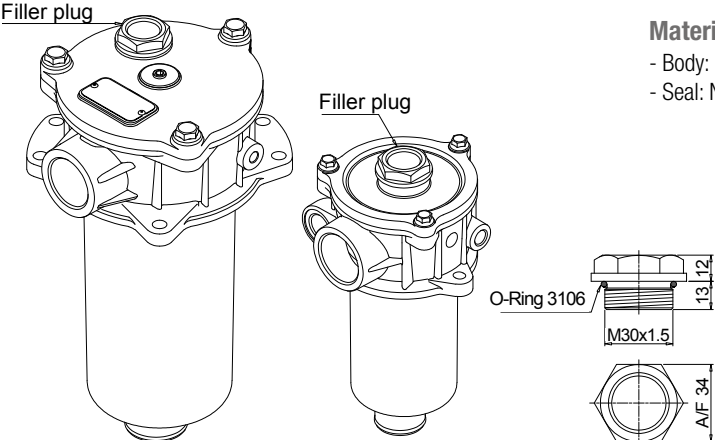
Configuration example: **DPT 20 M10 A P01**

Series		DPT
Length	H [mm]	
15	134	
20	184	
25	234	
30	284	
35	334	
Fastening		
M8	Fastening with screws ø D = M8	
M10	Fastening with screws ø D = M10	
Seals		
A	NBR	
V	FPM	
Execution		
P01	MP Filtri standard	
Pxx	Customized	

Materials
 - Screw: phosphatized steel
 - Stick: phosphatized steel
 - Handle: Polyamide

Technical data
 Working temperature: from -25 °C to +110 °C

FILLER PLUG



Configuration example: **DPT 20 M10 A P01**

Series		DPT
Length	H [mm]	
15	134	
20	184	
25	234	
30	284	
35	334	
Fastening		
M8	Fastening with screws ø D = M8	
M10	Fastening with screws ø D = M10	
Seals		
A	NBR	
V	FPM	
Execution		
P01	MP Filtri standard	
Pxx	Customized	

Materials
 - Body: Polyamide
 - Seal: NBR

Technical data
 Tightening torque: 15 N·m

O-Ring 3106 / M30x1.5 / 13, 12 / A/F 34

For any further information, please, contact our commercial dept.