

Accessories

NYLON EXTENSION TUBE

H1 - Total length immersed in the tank

Configuration example: **TE** **40** **A** **250**

Series	Size	Material	Length	H [mm]
TE			200	200
			250	250
			300	300
			350	350
			400	400
			450	450
			500	500

Size	Ø D [mm]	Material
25	25	A Nylon
32	32	
40	40	

COMPATIBILITY TABLE															
		Tube length													
Filter series	Filter size			Filter length	TE25	TE32	TE40	200	250	300	350	400	450	500	
H1 [mm]															
MPF - MPFX	30			1	•			266	316	366	416	466	516	566	
MPF	100	104	110	1		•		275	325	375	425	475	525	575	
				2				322	372	422	472	522	572	622	
				3			•	400	450	500	550	600	650	700	
				4				502	552	602	652	702	752	802	
MPFX	100	104	110	1				277	327	377	427	477	527	577	
				2			•	322	372	422	472	522	572	622	
				3				400	450	500	550	600	650	700	
				4				502	552	602	652	702	752	802	
MPF MPFX	181	182	184	1				410	460	510	560	610	660	710	
				2			•	623	673	723	773	823	873	923	
MPT MPTX	025		027		1	•		278	328	378	428	478	528	578	
					2			342	392	442	492	542	592	642	
					3			380	430	480	530	580	630	680	
MPT	101	104	110	114	120	1		•	273	323	373	423	473	523	573
						2			320	370	420	470	520	570	620
						3			396	446	496	546	596	646	696
						4			498	548	598	648	698	748	798
MPTX	101	104	110	114	120	1			273	323	373	423	473	523	573
						2		•	318	368	418	468	518	568	618
						3			396	446	496	546	596	646	696
						4			498	548	598	648	698	748	798

STEEL EXTENSION TUBE

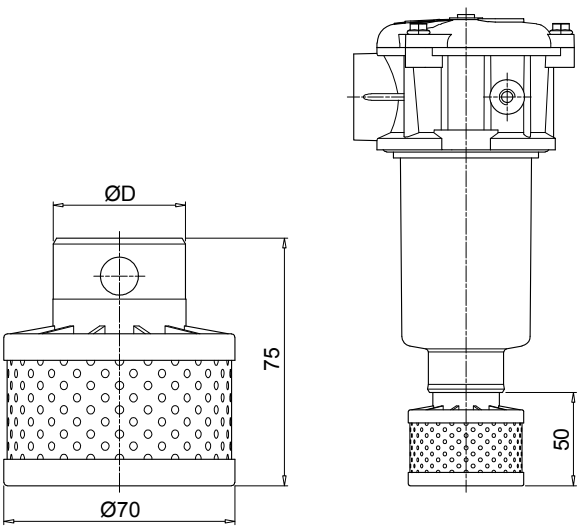
H1 - Total length immersed in the tank

Configuration example: **MPF191** **2** **A** **F1** **A10** **H** **B** **S60**

Series	Size	Material	Length	H1 [mm]
S30			300	300
S35			350	350
S40			400	400
S45			450	450
S50			500	500
S60			600	600
S70			700	700
S80			800	800
S90			900	900

COMPATIBILITY TABLE							
		Ø D [mm]					
Filter series	Filter size			Filter length	52	65	
MPF	191	192	194	2	•		
				1	•		
	400	410	450	451	2		•
					3		
	750			1		•	

DIFFUSER WITH FAST LOCK CONNECTION

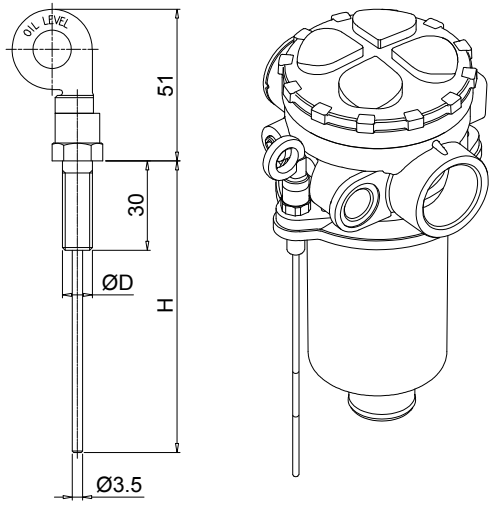


Configuration example: **DFS 32 A 075**

Series		DFS
Size		32
Size	ø D [mm]	32
40	40	
Version		A Standard
Length		075 Standard

COMPATIBILITY TABLE								
Filter series	Filter size			Filter Length	DFS32	DFS40		
MPF	100	104	110	1	•			
				2				
				3		•		
				4				
MPFX	100	104	110	1		•		
				2		•		
				3				
				4				
MPT	101	104	110	114	120	1	•	
						2		
						3		
						4		•
MPTX	101	104	110	114	120	1		•
						2		•
						3		
						4		

DIPSTICK



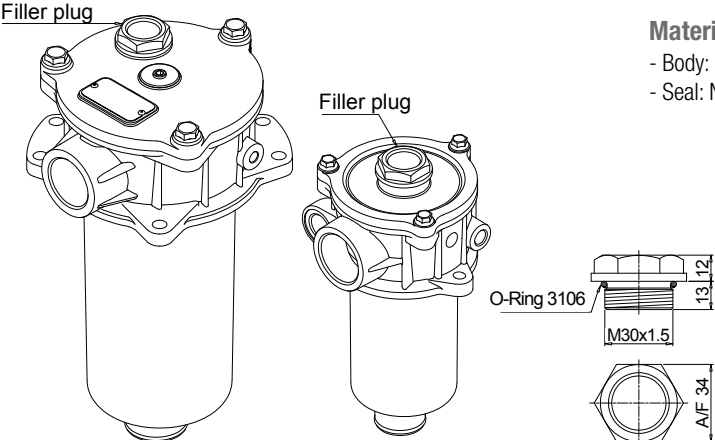
Configuration example: **DPT 20 M10 A P01**

Series		DPT
Length	H [mm]	20
15	134	
20	184	
25	234	
30	284	
35	334	
Fastening		M8 Fastening with screws ø D = M8
		M10 Fastening with screws ø D = M10
Seals		A NBR
		V FPM
Execution		P01 MP Filtri standard
		Pxx Customized

Materials
 - Screw: phosphatized steel
 - Stick: phosphatized steel
 - Handle: Nylon

Technical data
 Working temperature: from -25 °C to +110 °C

FILLER PLUG



Configuration example: **DPT 20 M10 A P01**

Series		DPT
Length	H [mm]	20
15	134	
20	184	
25	234	
30	284	
35	334	
Fastening		M8 Fastening with screws ø D = M8
		M10 Fastening with screws ø D = M10
Seals		A NBR
		V FPM
Execution		P01 MP Filtri standard
		Pxx Customized

Materials
 - Body: Nylon
 - Seal: NBR

Technical data
 Tightening torque: 15 N·m

O-Ring 3106
 M30x1.5
 13 12
 A/F 34

For any further information, please, contact our commercial dept.