

# TKM series

Nylon and aluminium filler and drain plugs



## Technical data

### Drain plugs

#### Aluminium magnetic drain plug

TKM is a range of aluminium compact plugs for draining of the fluid from the systems during the commissioning and maintenance procedures. They are usually directly fitted on the bottom of the tank. The integrated magnet holds the ferrous contamination.

#### Available features:

- Male threaded connections up to G 1"

#### Common applications:

- Hydraulic systems
- Mobile machines
- Industrial equipment

#### Materials

- Body: Aluminium
- Seal: Inorganic fibre

#### Temperature

From -25 °C to +100 °C

#### Weight

TKMG13	14 g
TKMG16	23 g
TKMG20	42 g
TKMG26	95 g
TKMG33	98 g

#### Quantity

1 pc/pack



## Designation & Ordering code

### DRAIN PLUG - TKM

#### Series and size

**TKM**

Configuration example: **TKM** **G20** **B** **P01**

#### Connections to the tank

**G13** Thread G 1/4"

**G16** Thread G 3/8"

**G20** Thread G 1/2"

**G26** Thread G 3/4"

**G33** Thread G 1"

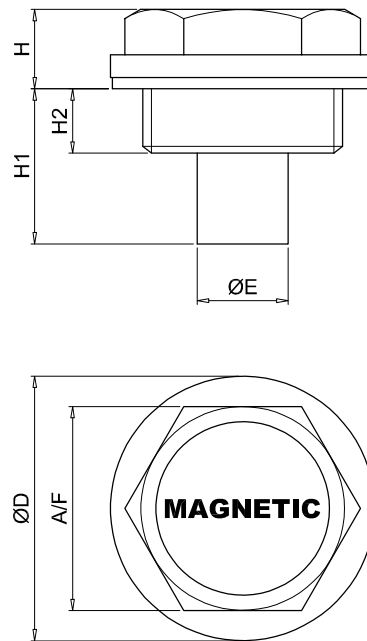
#### Seals

**B** Inorganic fiber

#### Execution

**P01** MP Filtri standard

**Pxx** Customized



Connection	ØD [mm]	A/F [mm]	ØE [mm]	H [mm]	H1 [mm]	H2 [mm]
<b>G13</b>	19	15	9.5	6	11.5	5.5
<b>G16</b>	22	18	8	9.5	13.5	7.5
<b>G20</b>	28	22	10	9.5	15.5	7.5
<b>G26</b>	35	27	12	10.5	20.5	8.5
<b>G33</b>	42	34	25	13	30.5	10.5