

TKT - TSD - TKM series

Nylon and aluminium filler and drain plugs



Technical data

Filler plugs

Nylon filler plug

TKT is a range of nylon compact filler plugs for filling of the fluid into the systems during the commissioning and maintenance procedures. They are usually directly fitted on the tank.

Available features:

- Male threaded connections up to G 2"
- Breathing hole, to reduce the pressure inside the filter during the maintenance operations
- Caps with different graphics and colours, for the use in several applications
- Dipstick, to monitor the fluid level into the tank even in complicated positions
- Antisplash, to avoid fluid coming out through the air breather due to sloshing
- Labyrinth filter, to avoid fluid coming out through the air breather due to sloshing

Common applications:

- Hydraulic systems
- Mobile machines
- Industrial equipment

Materials

- Body: Nylon
- Seals: NBR, Inorganic fibre
- Labyrinth: Nylon
- Anti-splash feature: Resin impregnated paper
- Dipstick: Phosphatized steel

Temperature

From -25 °C to +100 °C

Weight

TKTG 13	5 g
TKTG 16	8 g
TKTG 20	10 g
TKTG 26	15 g
TKTG 33	30 g
TKTG 42	32 g
TKTG 60	35 g

Quantity

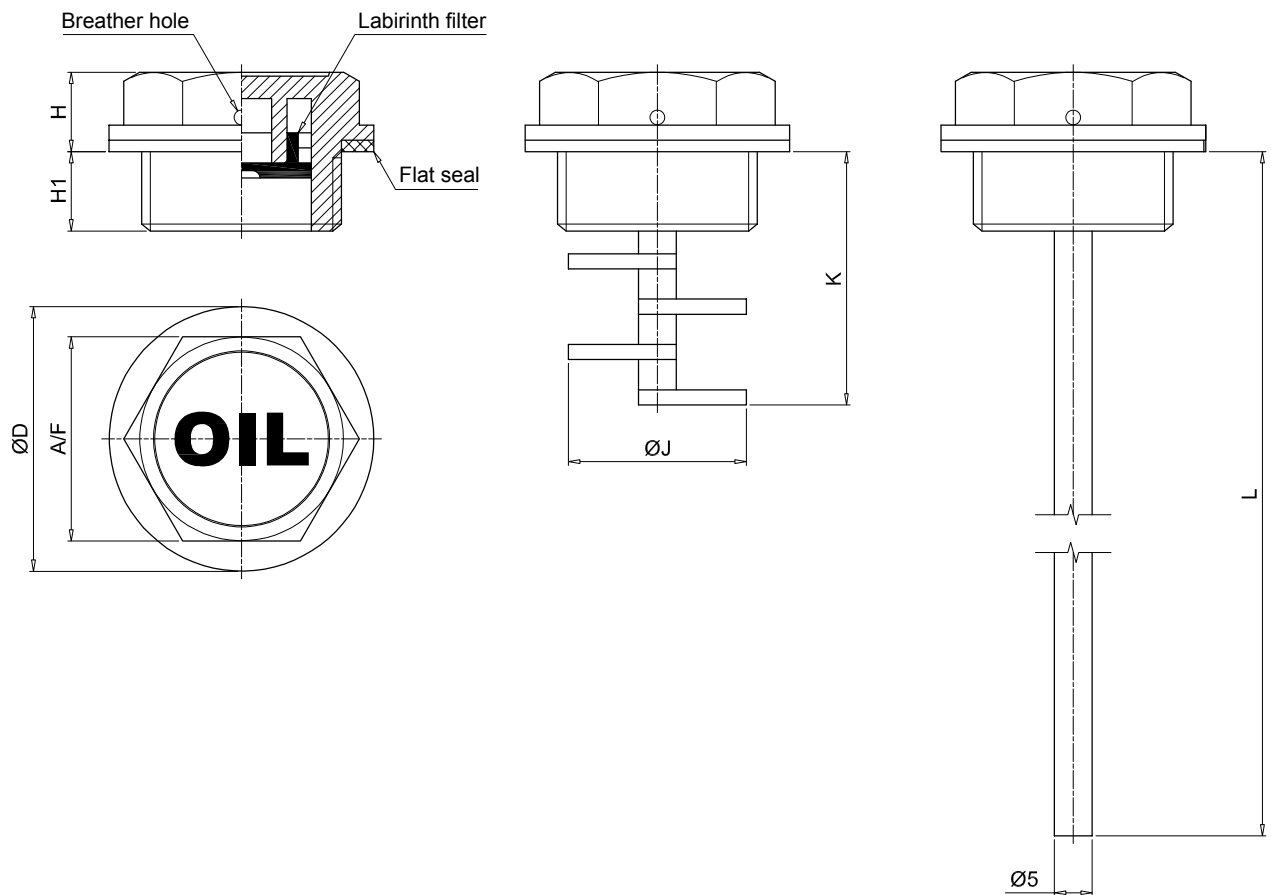
25 pcs/pack



Designation & Ordering code

FILLER PLUG - TKT

Series and size	Configuration example : TKT G26 N N A F S P01									
TKT										
Connections to the tank	Version									
	S	A	F	L						
G13 Thread G 1/4"	•	•		•						
G16 Thread G 3/8"	•	•	•	•						
G20 Thread G 1/2"	•	•	•	•						
G26 Thread G 3/4"	•	•	•	•						
G33 Thread G 1"	•	•	•							
G42 Thread G 1 1/4"	•	•	•							
G48 Thread G 1 1/2"	•	•	•							
G60 Thread G 2"	•	•								
Colour										
N Black nylon										
Cover wording										
O Oil	N Neutral									
Seals	Version									
	S	A	F	L						
A NBR		•	•							
B Inorganic fiber	•			•						
Breather hole										
S Without breather hole	F With breather hole									
Version										
S Standard	F With anti-splash feature									
A With dipstick	L With labyrinth filter									
Execution										
P01 MP Filtri standard										
Pxx Customized										



Connections	ØD [mm]	A/F [mm]	H [mm]	H1 [mm]	ØJ [mm]	K [mm]	L [mm]
G13	20	17	8.5	7.5	-	-	205
G16	22	18	9.5	8.5	13.5	32	206
G20	28	22	9.5	9.5	17.5	33	207
G26	35	27	10.5	10.5	23.5	34	208
G33	42	34	10.5	10.5	29.5	36	201
G42	52	42	11	11	38	38	201
G48	58	47	11	11	38	36	201
G60	74	64	18	18	-	-	198

Technical data

Filler plugs

Nylon filler plug

TSD is a range of nylon compact air breathers and filler plugs for protection of the tank against the solid contamination contained into the air and filling of the fluid into the systems during the commissioning and maintenance procedures.

They are usually directly fitted on the tank.

Available features:

- Male threaded connections up to G 1 1/2"
- Metal filtration, to hold the coarse contamination contained into the air
- Caps with different graphics and colours, for the use in several applications
- Dipstick, to monitor the fluid level into the tank even in complicated positions
- Antisplash, to avoid fluid coming out through the air breather due to sloshing

Common applications:

- Hydraulic systems
- Mobile machines
- Industrial equipment

Materials

- Body: Nylon
- Cover: Nylon
- Seal: NBR
- Filter: Galvanized steel
- Anti-splash feature: Nylon
- Dipstick: Phosphatized steel

Temperature

From -25 °C to +100 °C

Weight

TSDG16	15 g
TSDG20	25 g
TSDG26	28 g
TSDG33	60 g
TSDG42	69 g
TSDG48	74 g

Quantity

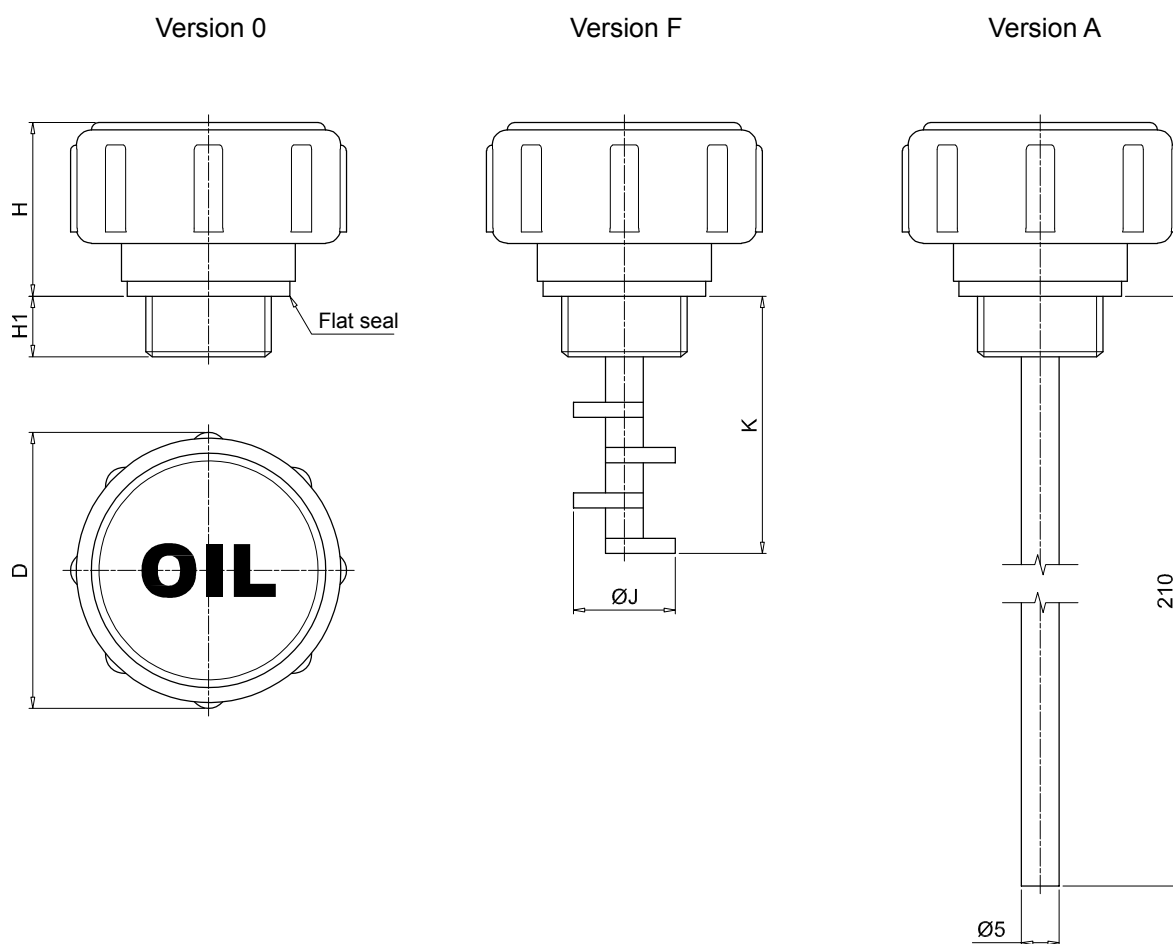
25 pcs/package



Designation & Ordering code

FILLER PLUG - TSD

Series and size	Configuration example :								
TSD	TSD	G26	R	G	A	F	S	P01	
Connections to the tank									
G16 Thread G 3/8"	G33 Thread G 1"								
G20 Thread G 1/2"	G42 Thread G 1 1/4"								
G26 Thread G 3/4"	G48 Thread G 1 1/2"								
Cover colour									
R Red	Y Yellow								
Cover wording									
O Oil									
N Neutral									
G Gasoil									
Seals									
A NBR									
Filter element	Cover wording								
O Without filter element	N	O	G						
A Steel filter element	•	•	•						
Version									
S Standard									
A With dipstick									
F With anti-splash feature									
								Execution	
								P01 MP Filtri standard	
								Pxx Customized	



Connections	ØD [mm]	H [mm]	H1 [mm]	ØJ [mm]	K [mm]
G16	36.5	23	8	13.5	34
G20	40.5	23	9	17.5	34
G26	46.5	23	10	23.5	35
G33	52.5	24	11	29.5	42
G42	67.5	31.5	12	38	45
G48	67.5	31.5	11	38	45

Technical data

Drain plugs

Aluminium magnetic drain plug

TKM is a range of aluminium compact plugs for draining of the fluid from the systems during the commissioning and maintenance procedures. They are usually directly fitted on the bottom of the tank. The integrated magnet holds the ferrous contamination.

Available features:

- Male threaded connections up to G 1"

Common applications:

- Hydraulic systems
- Mobile machines
- Industrial equipment

Materials

- Body: Aluminium
- Seal: Inorganic fibre

Temperature

From -25 °C to +100 °C

Weight

TKMG13	14 g
TKMG16	23 g
TKMG20	42 g
TKMG26	95 g
TKMG33	98 g

Quantity

1 pc/pack



Designation & Ordering code

DRAIN PLUG - TKM

Series and size

TKM

Configuration example: TKM G20 B P01

Connections to the tank

G13 Thread G 1/4"

G16 Thread G 3/8"

G20 Thread G 1/2"

G26 Thread G 3/4"

G33 Thread G 1"

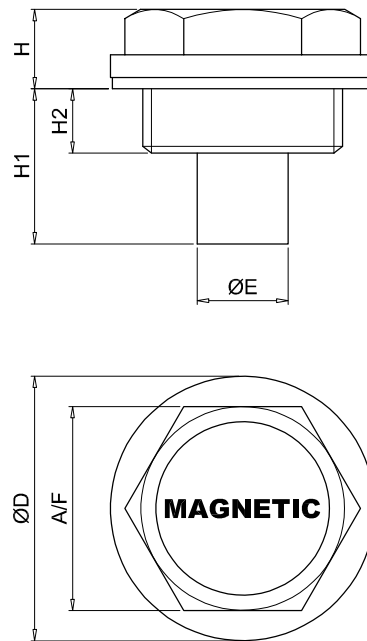
Seals

B Inorganic fiber

Execution

P01 MP Filtri standard

Pxx Customized



Connection	ØD [mm]	A/F [mm]	ØE [mm]	H [mm]	H1 [mm]	H2 [mm]
G13	19	15	9.5	6	11.5	5.5
G16	22	18	8	9.5	13.5	7.5
G20	28	22	10	9.5	15.5	7.5
G26	35	27	12	10.5	20.5	8.5
G33	42	34	25	13	30.5	10.5